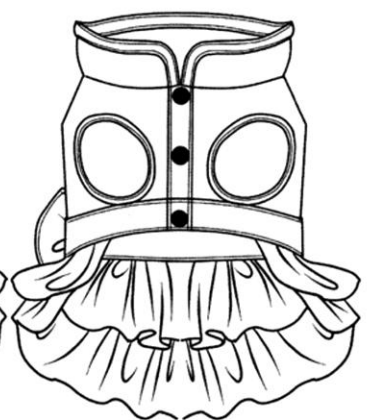
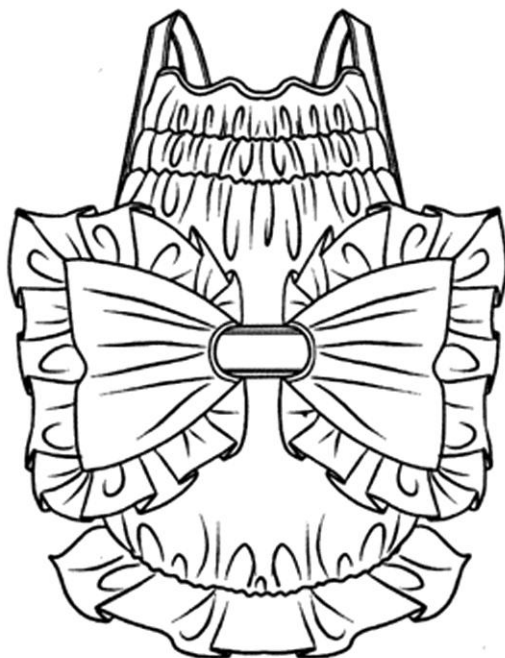


DOG DRESS PATTERNS



sew
clothing
for your
small
pets



Dear friends!

This book contains 38 patterns of dresses for dogs and cats.

The patterns in this book are given in the form of diagrams depicted on a grid lined with squares, and thus are universal for animals of all sizes.

Since the patterns given in this listing are made for a "standard" figure, when trying on, you will have to make changes related to the anatomical features of the structure of a particular animal.

Make a cute clothes for your dog or cat with this patterns!

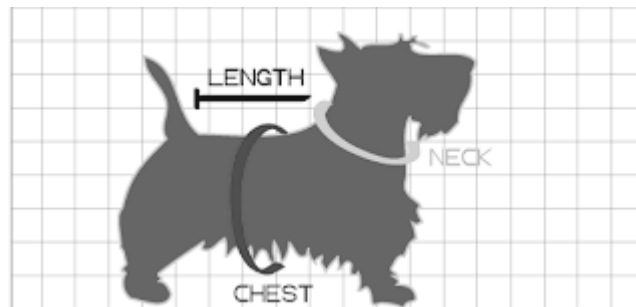
PLEASE NOTE:

- Do not regard my PATTERNS as a SEWING MASTERCLASS.
- Due to the nature of digital products, they may not be returned or exchanged.
- My patterns may not be resold further as a pattern-product.
- You are welcome to use my patterns in your sewing production.

THANK YOU!

HOW TO MEASURE YOUR DOG FOR CLOTHING AND TO MAKE THE TEMPLATES

You can't make clothes for your dog without first taking some standard measurements. In order to find the right size of clothing for your dog, please complete the following measurements with a measuring tape. To ensure a correct fit, please have your dog stand up. You won't get accurate measurements if the pet is sitting or lying down. If this is difficult, offer little incentives (eg. Treats) to get them to stand still, or measure when your pet is calm and not over excited



Take your dog's measurements (please do not measure too tight):
IMPORTANT: Chest Girth is the most important measure.

CHEST. This is the size of your dog's chest girth, at the widest point, which is generally found behind the front legs. Write this number down as the chest size.

NECK. The neck measurement is taken around the dog's neck where the collar would naturally sit. Write this number down as the neck size.

LENGTH. The Length measurement is taken from the base of the neck (where the collar sits) to the start of the tail (not to the tip of the tail). Write this number down as the length size.

In some cases (diapers, pants, panties) also will need the waist measurement:

Make sure you check the size chart below and compare it with your dog's measurements so that you can choose and download the correct pattern size!!!

If your dog's measurements fall in between two sizes, we suggest download the next larger size pattern.

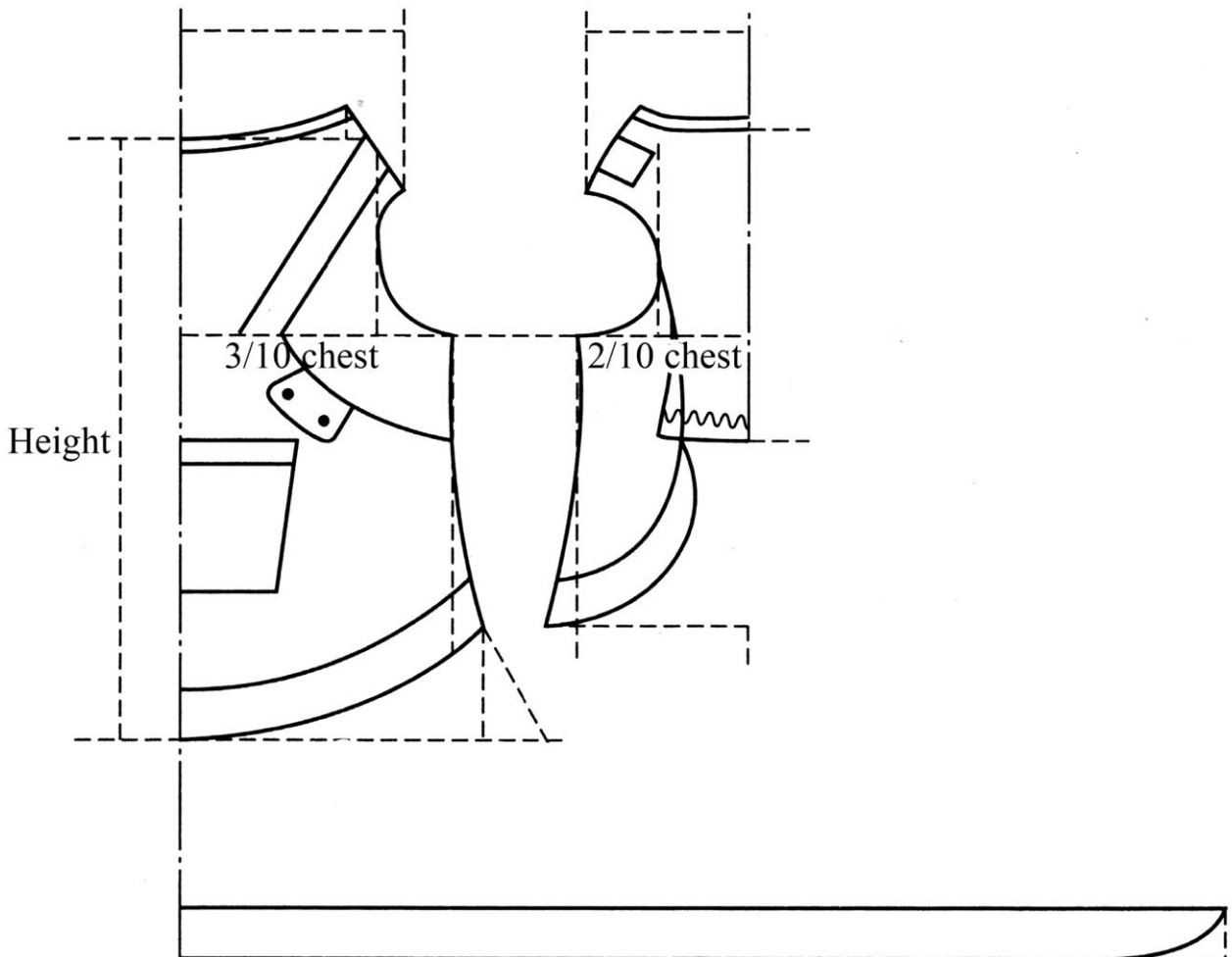
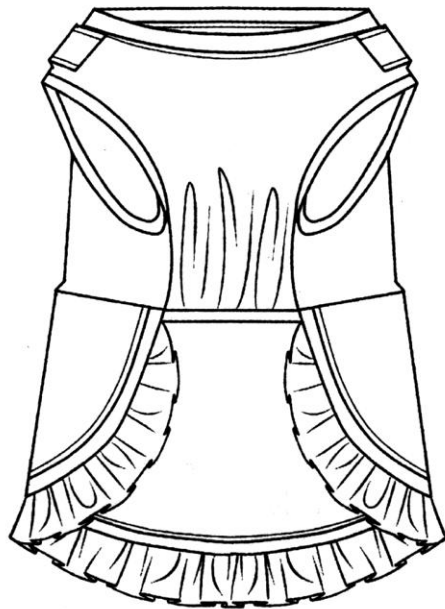
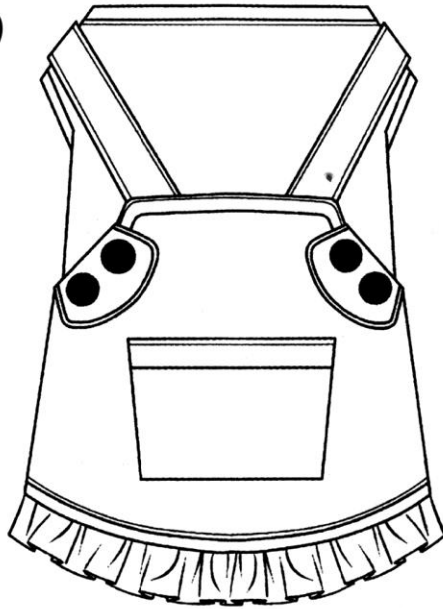
Note: Measures on the chart are about the dog, not the clothes.

Note: Chest Girth is the most important measure.

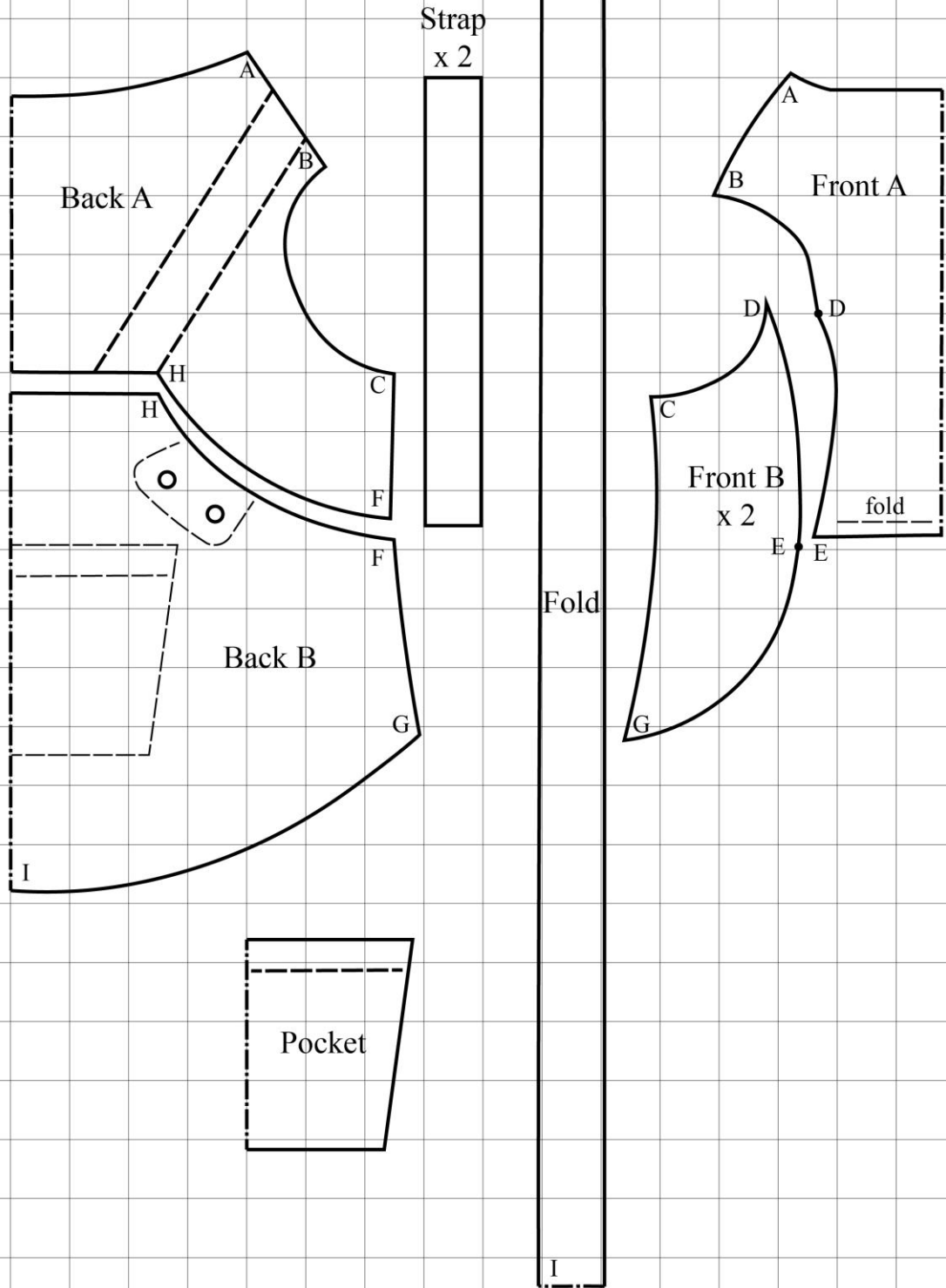
The patterns in this tutorial are also given in the form of diagrams depicted on a grid lined with squares, and thus are universal for animals of all sizes.

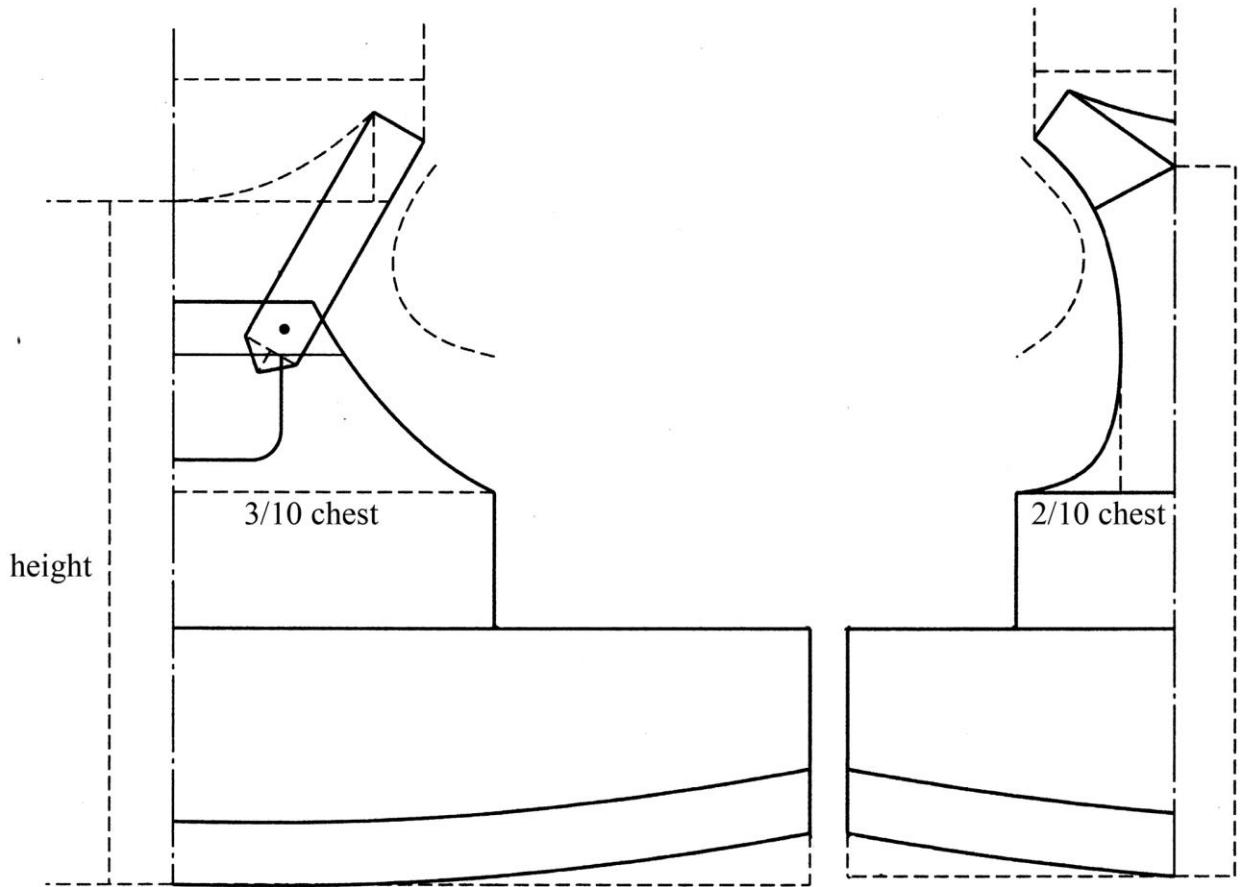
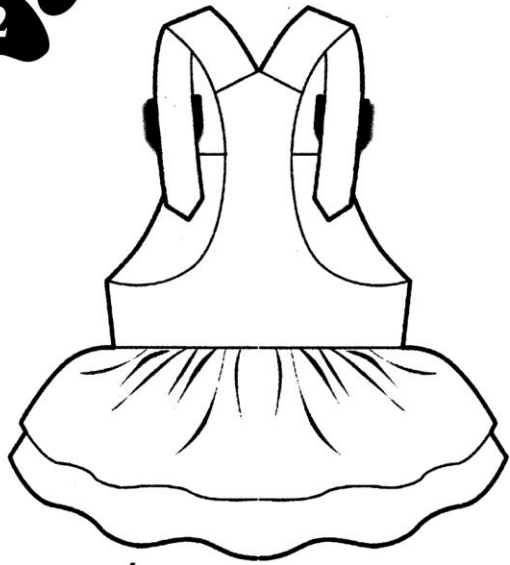
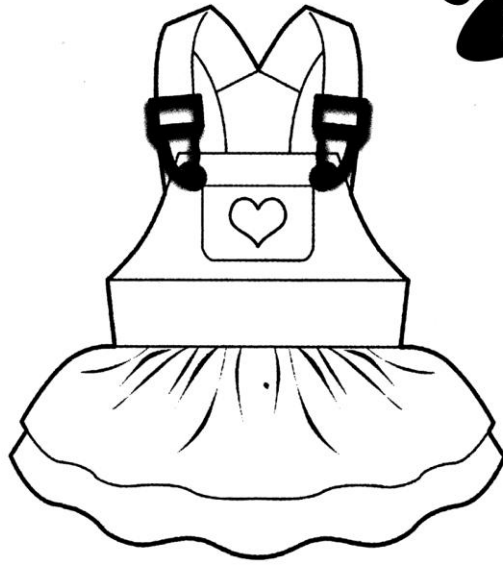
The size of the side of the square is determined as follows: the chest girth is measured; the resulting number is divided by the index specified in the instructions for the pattern. It remains to take a large sheet of thick paper, carefully draw into squares and transfer the pattern to it.

Since the patterns given in this tutorial are made for a "standard" figure, when trying on, you will have to make changes related to the anatomical features of the structure of a particular animal.

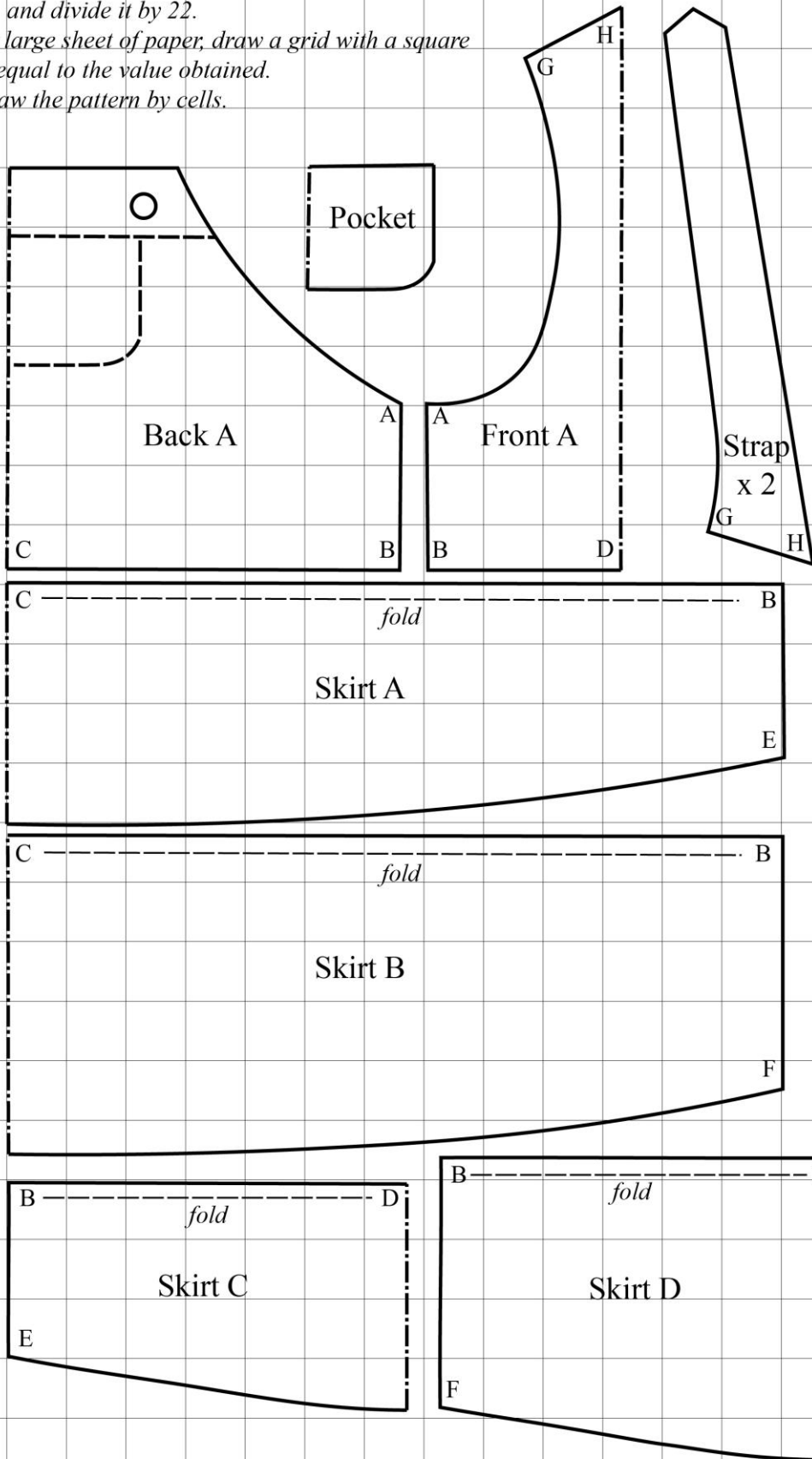


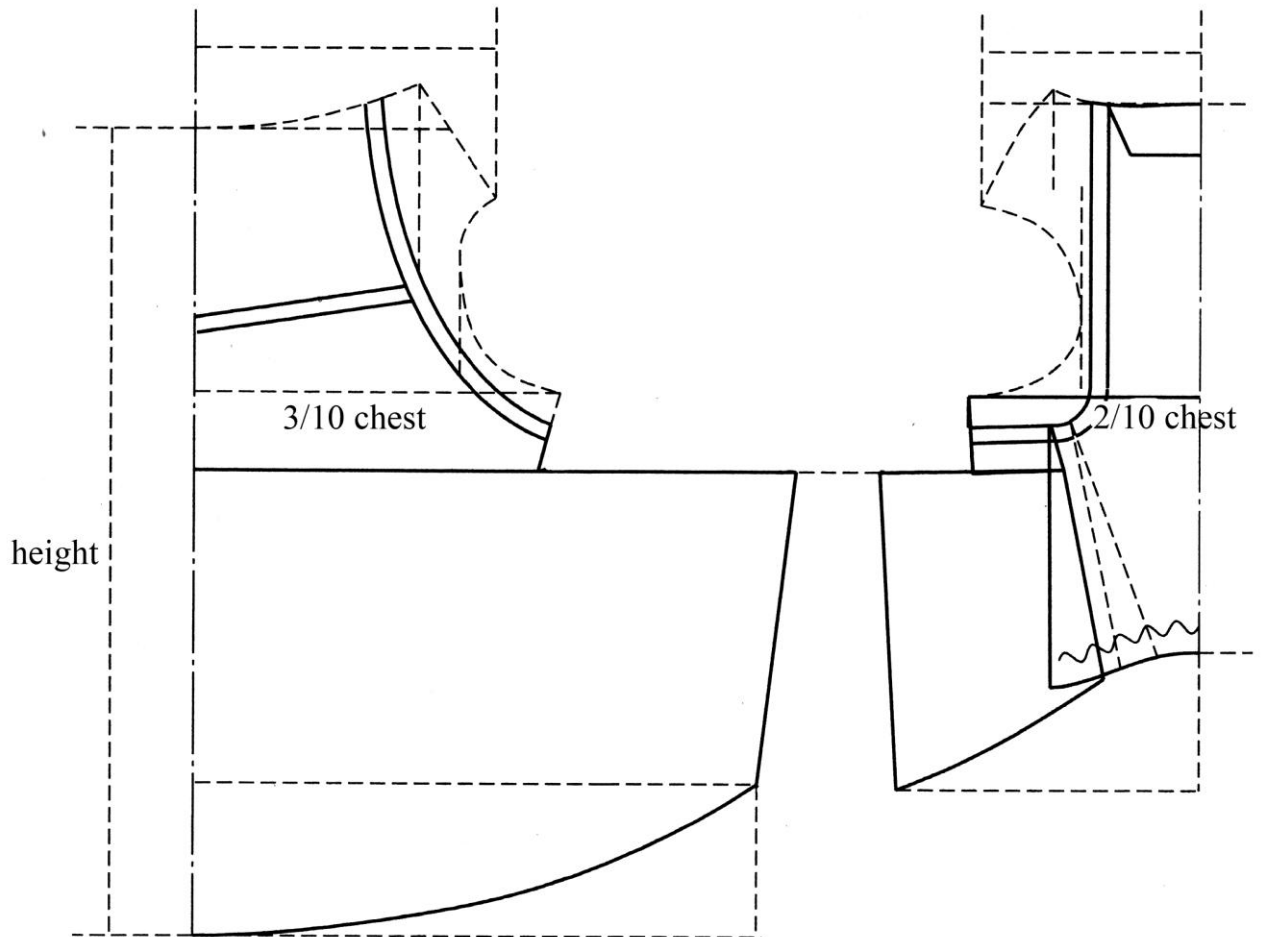
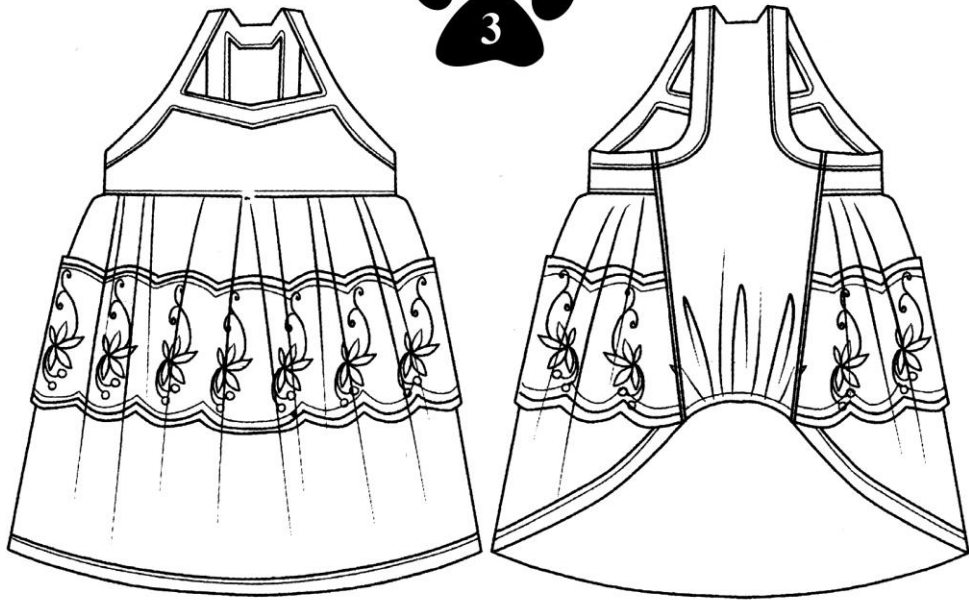
To make a pattern, measure the chest girth of your dog's and divide it by 22.
On a large sheet of paper, draw a grid with a square side equal to the value obtained.
Redraw the pattern by cells.





To make a pattern, measure the chest girth of your dog and divide it by 22.
On a large sheet of paper, draw a grid with a square side equal to the value obtained.
Redraw the pattern by cells.

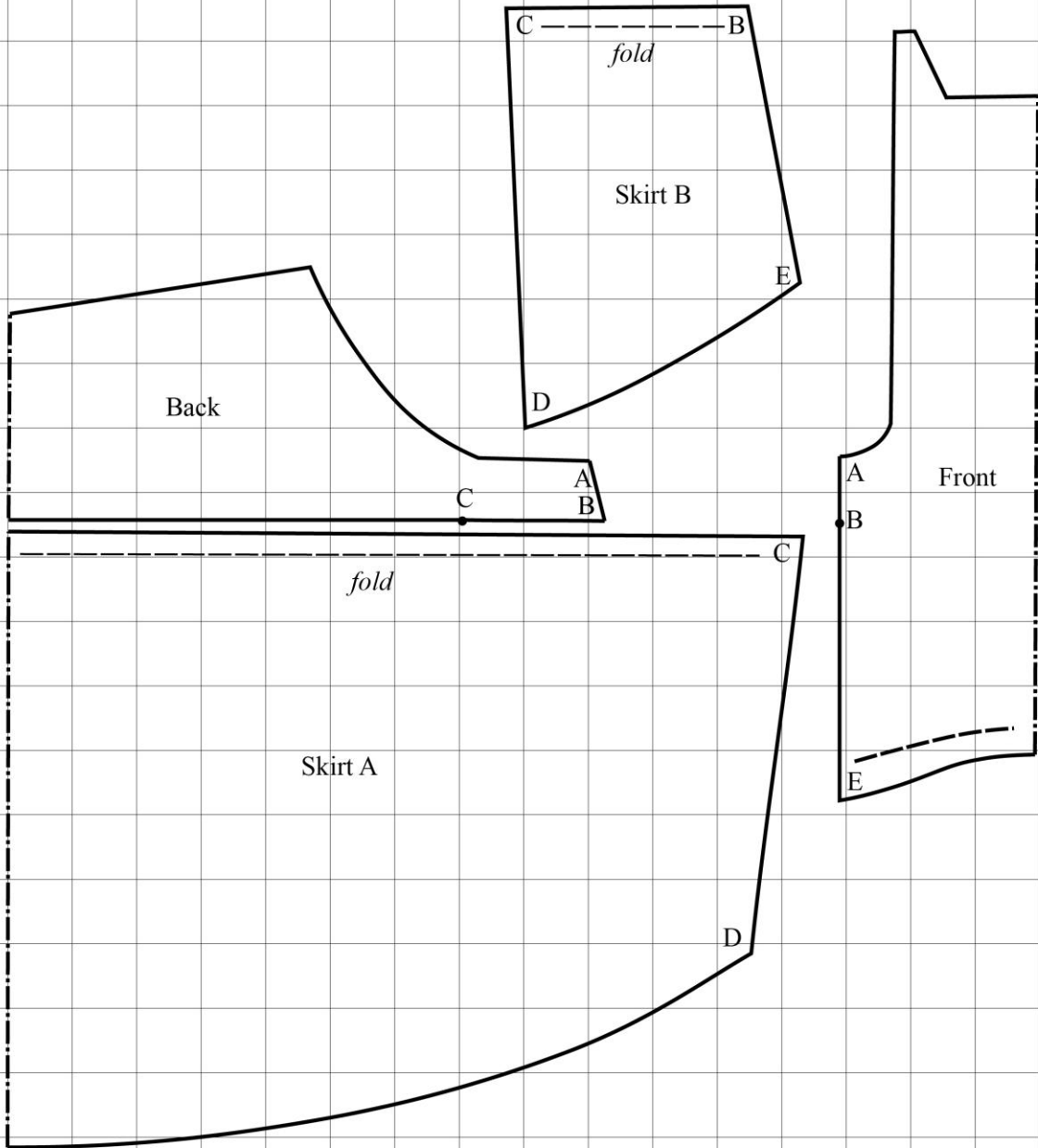


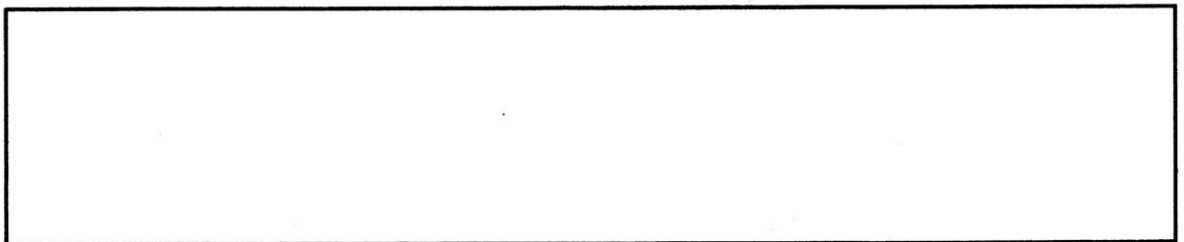
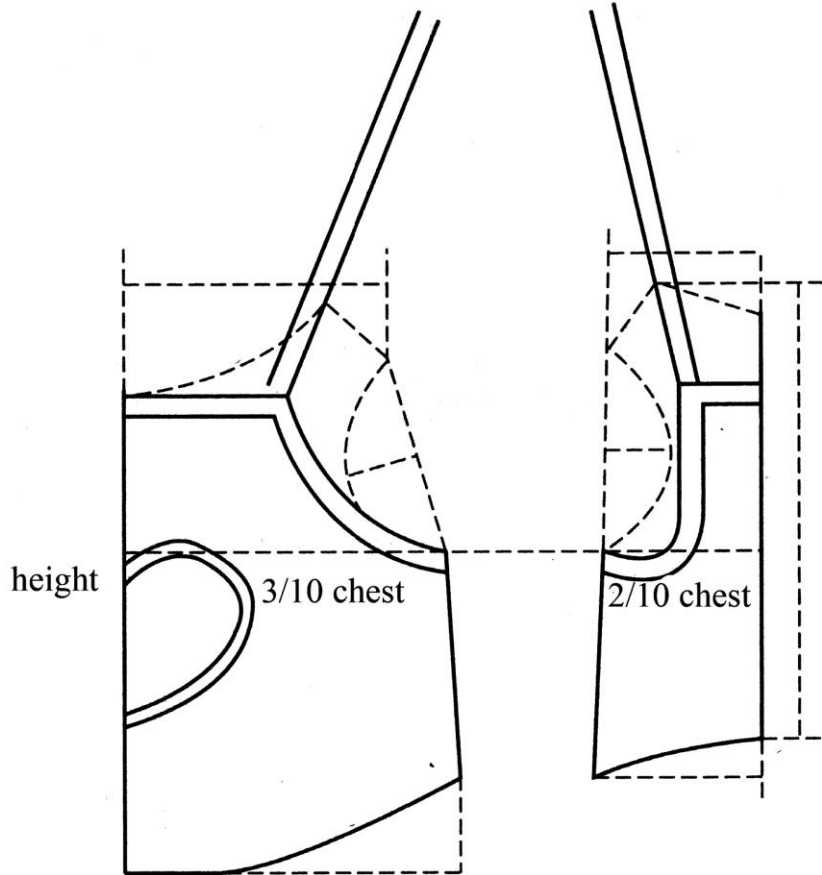
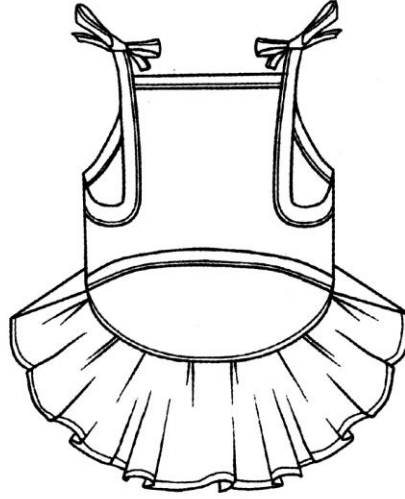
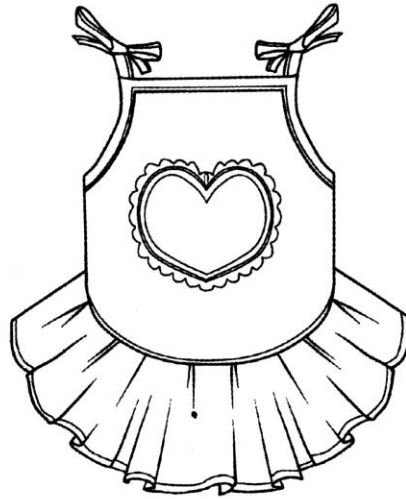


To make a pattern, measure the chest girth of your dog's and divide it by 24.

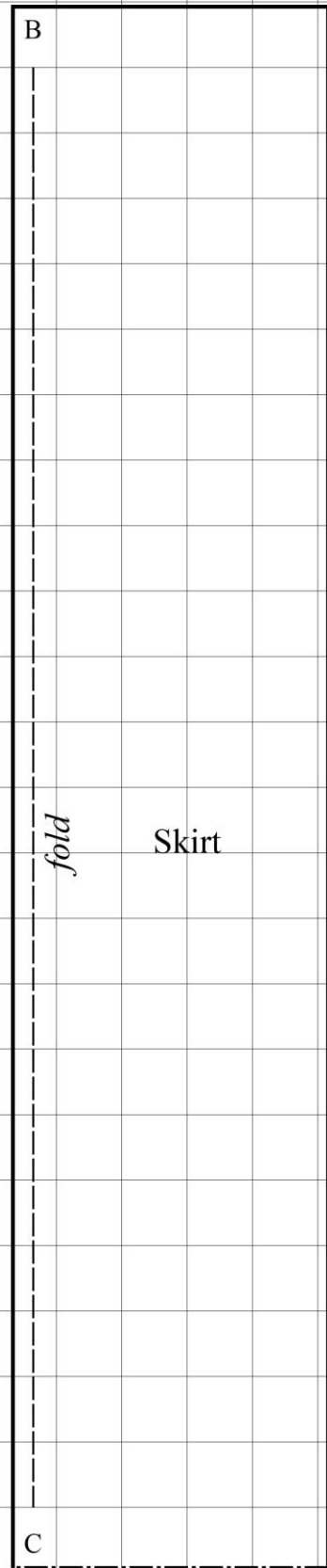
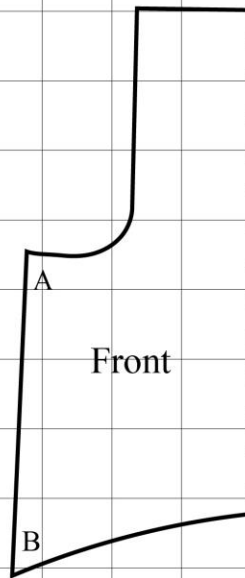
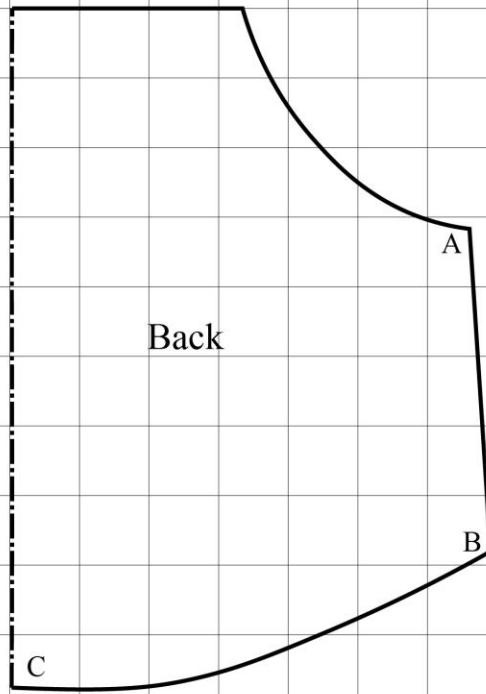
On a large sheet of paper, draw a grid with a square side equal to the value obtained.

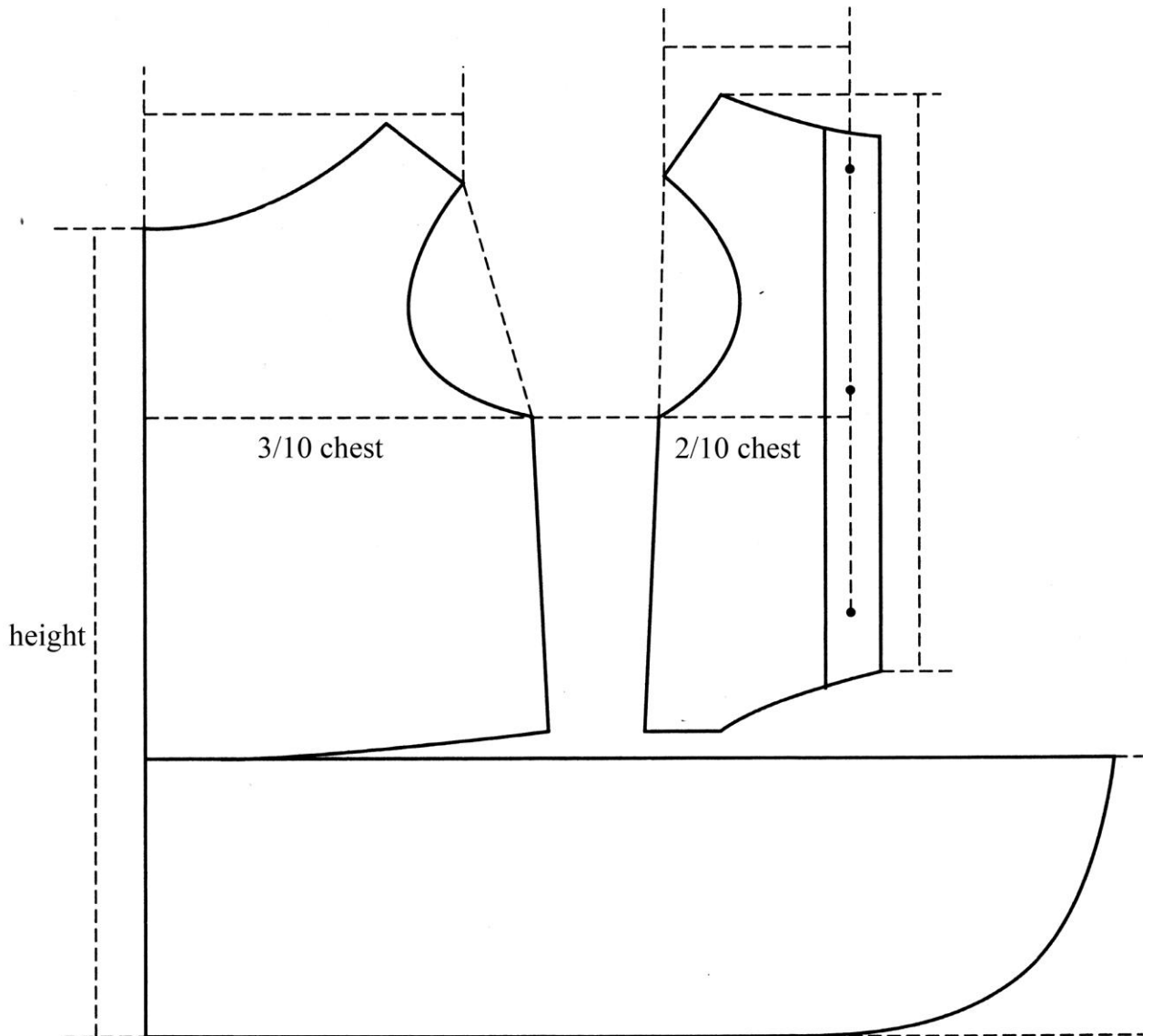
Redraw the pattern by cells.





To make a pattern, measure the chest girth of your dog's and divide it by 20.
On a large sheet of paper, draw a grid with a square side equal to the value obtained.
Redraw the pattern by cells.

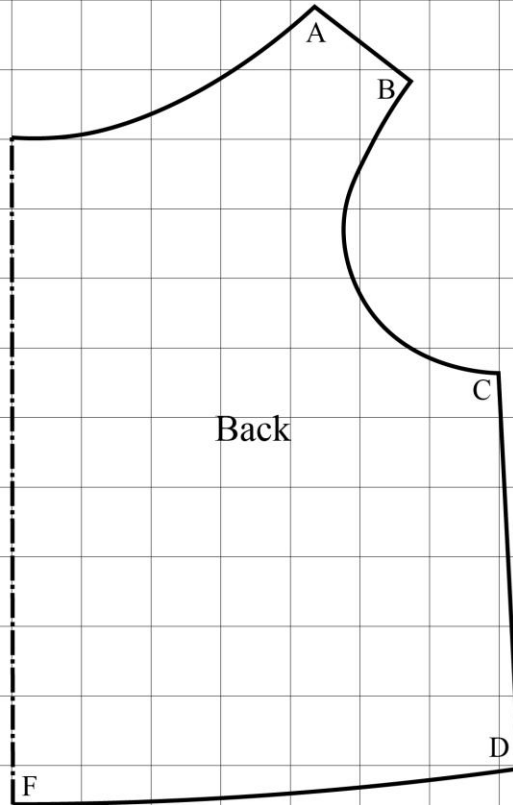
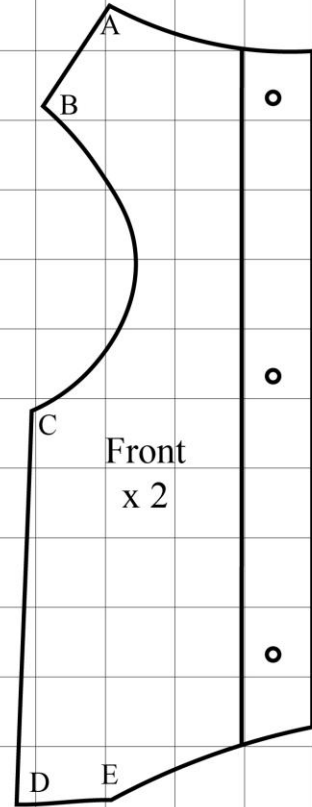
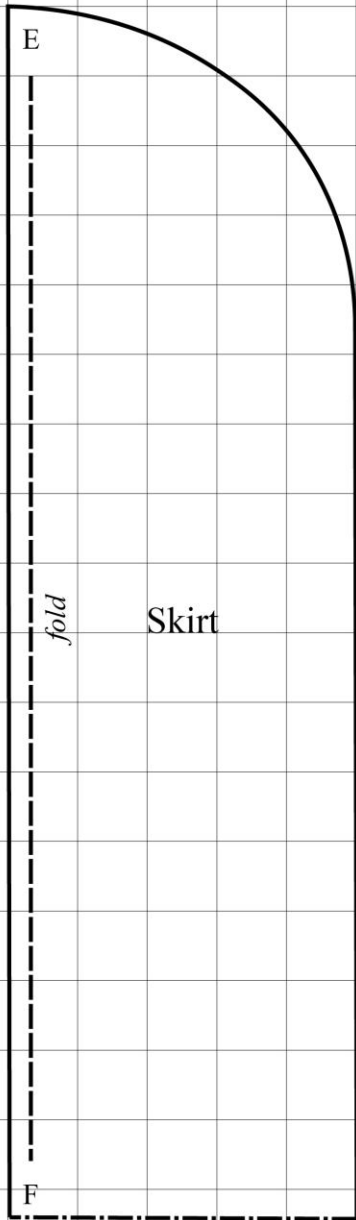


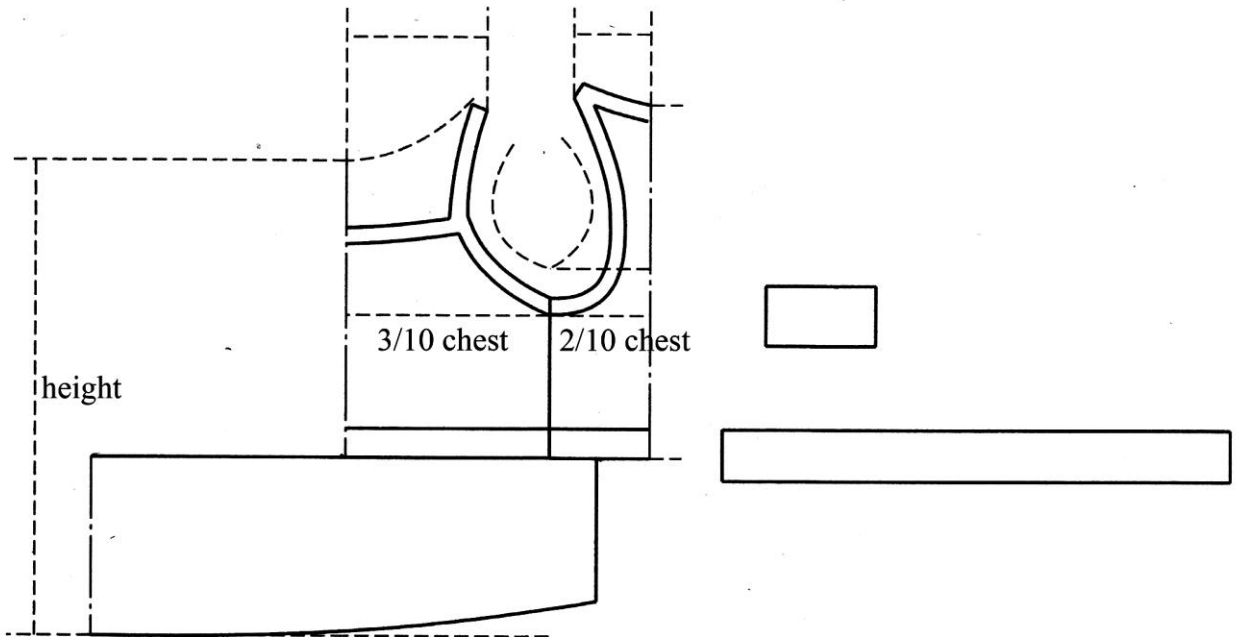
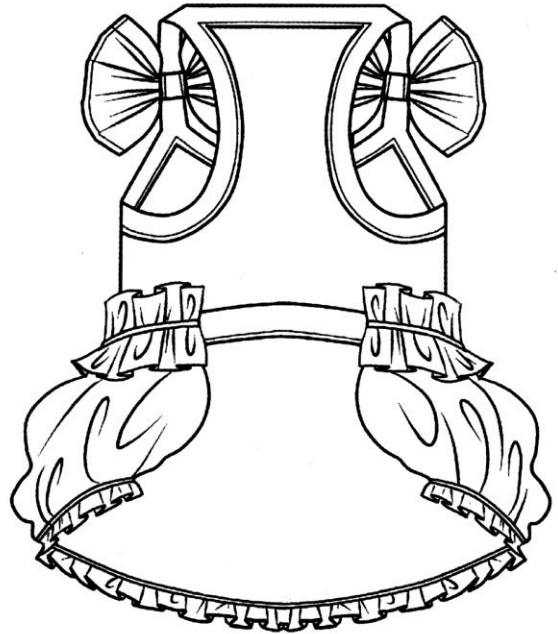
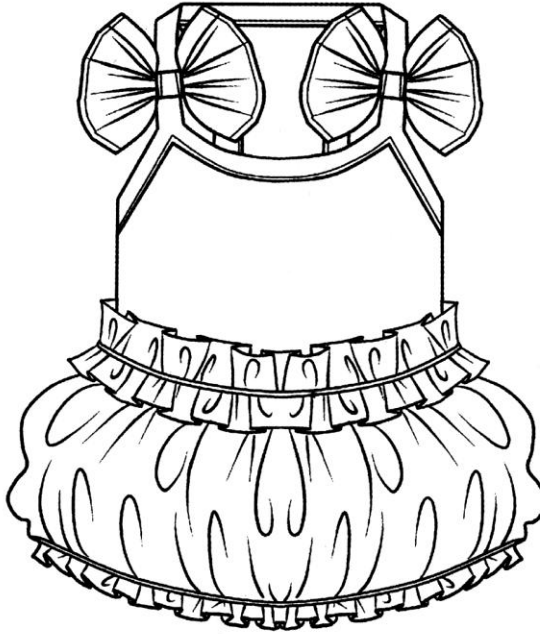


To make a pattern, measure the chest girth of your dog's and divide it by 22.

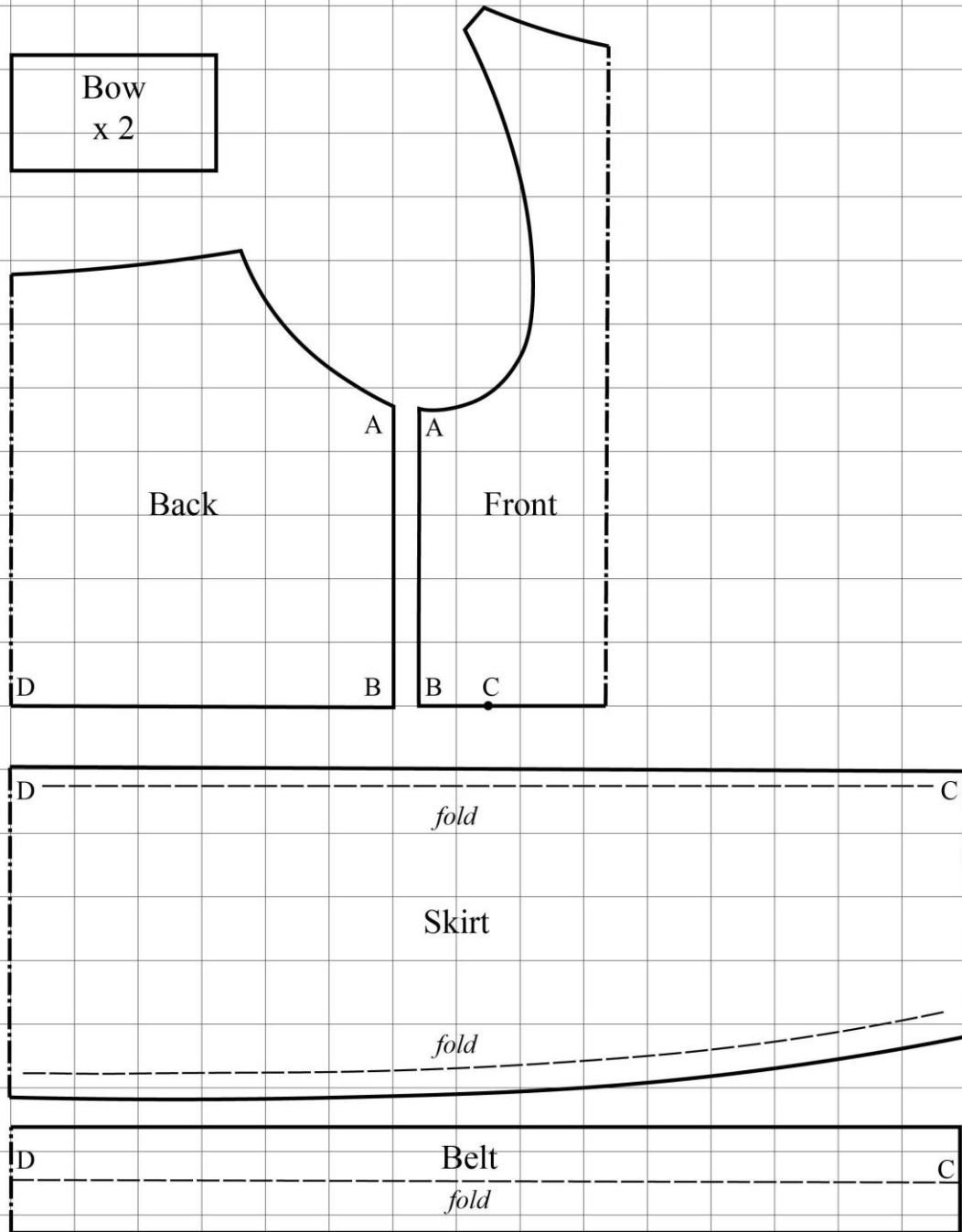
On a large sheet of paper, draw a grid with a square side equal to the value obtained.

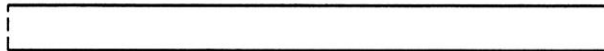
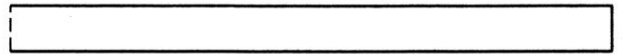
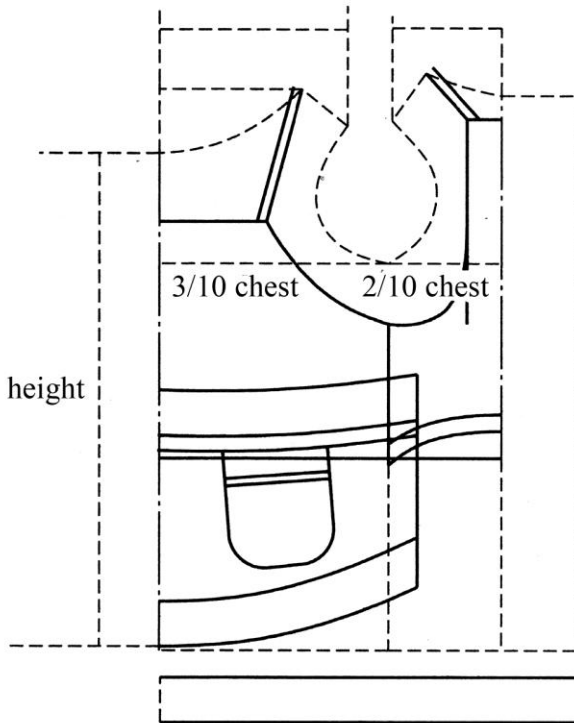
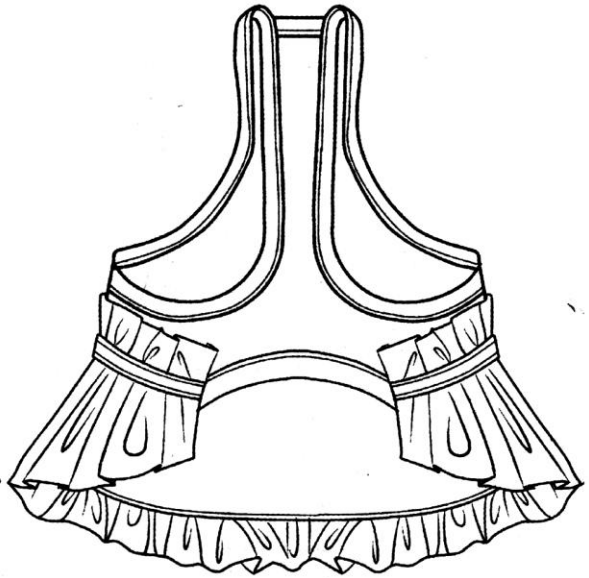
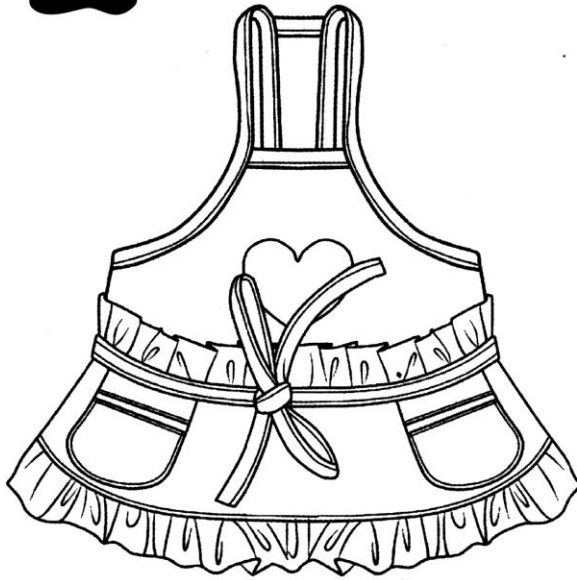
Redraw the pattern by cells.



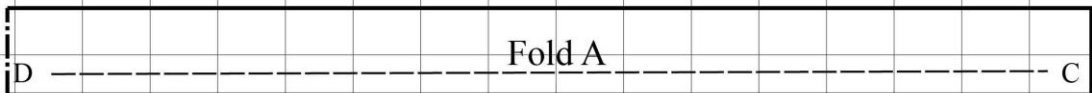
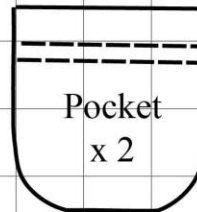
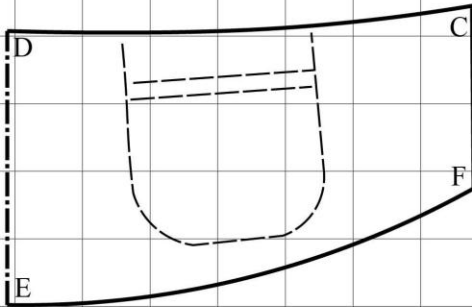
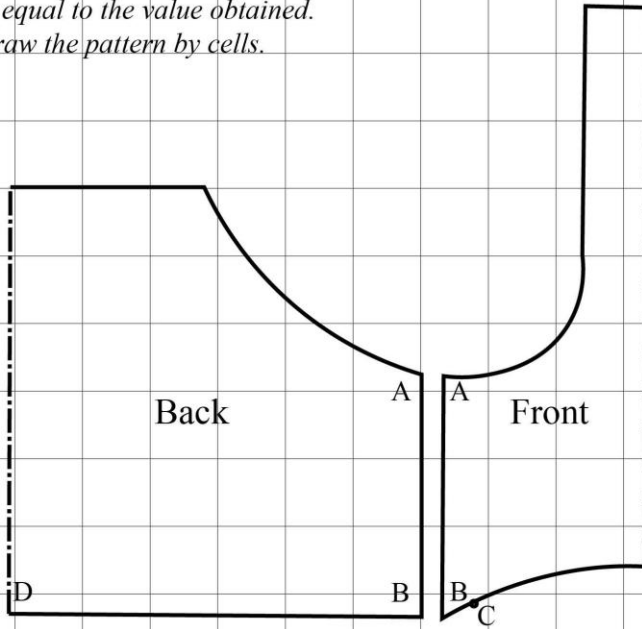


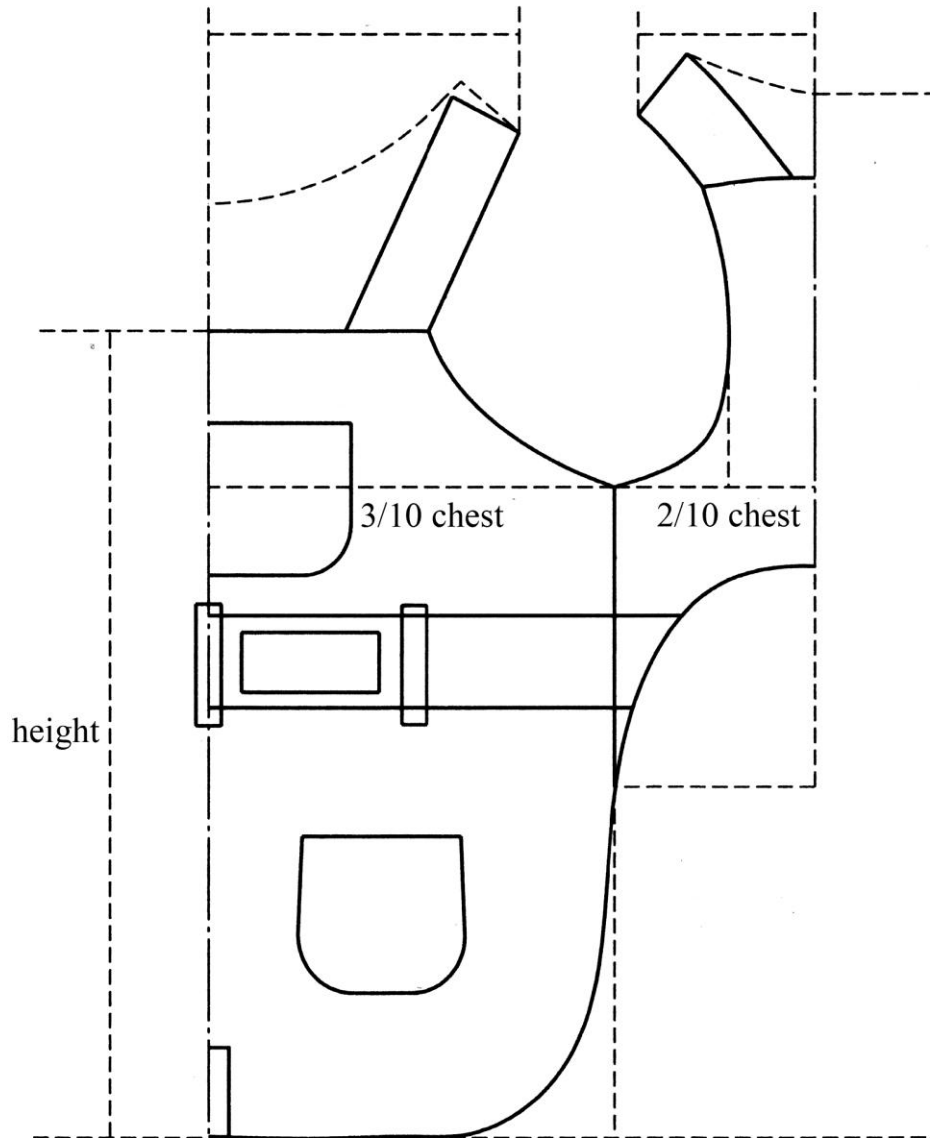
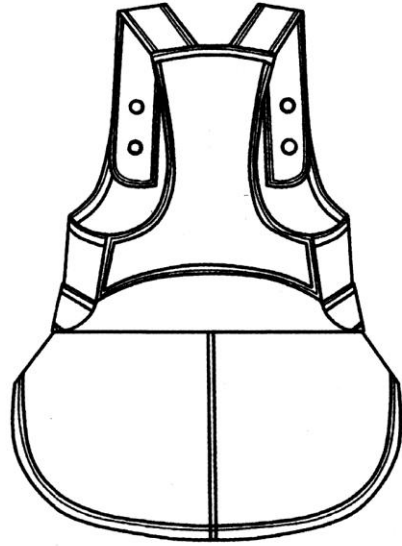
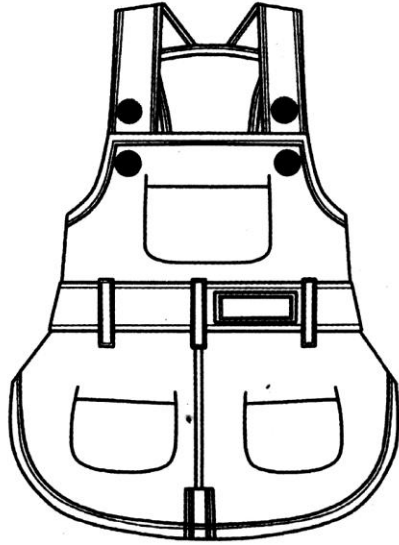
To make a pattern, measure the chest girth of your dog's and divide it by 20.
On a large sheet of paper, draw a grid with a square side equal to the value obtained.
Redraw the pattern by cells.





To make a pattern, measure the chest girth of your dog's and divide it by 20.
On a large sheet of paper, draw a grid with a square side equal to the value obtained.
Redraw the pattern by cells.

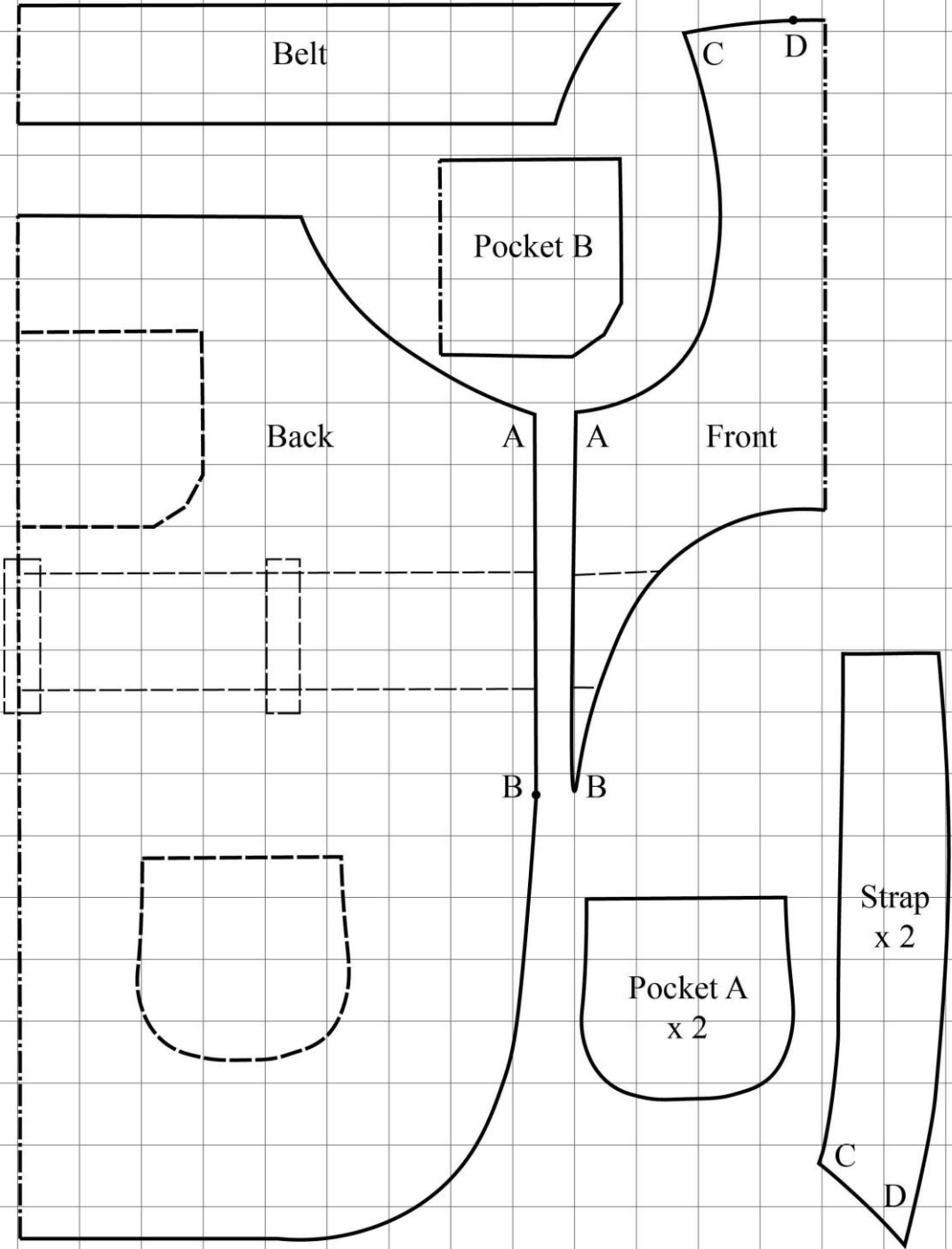


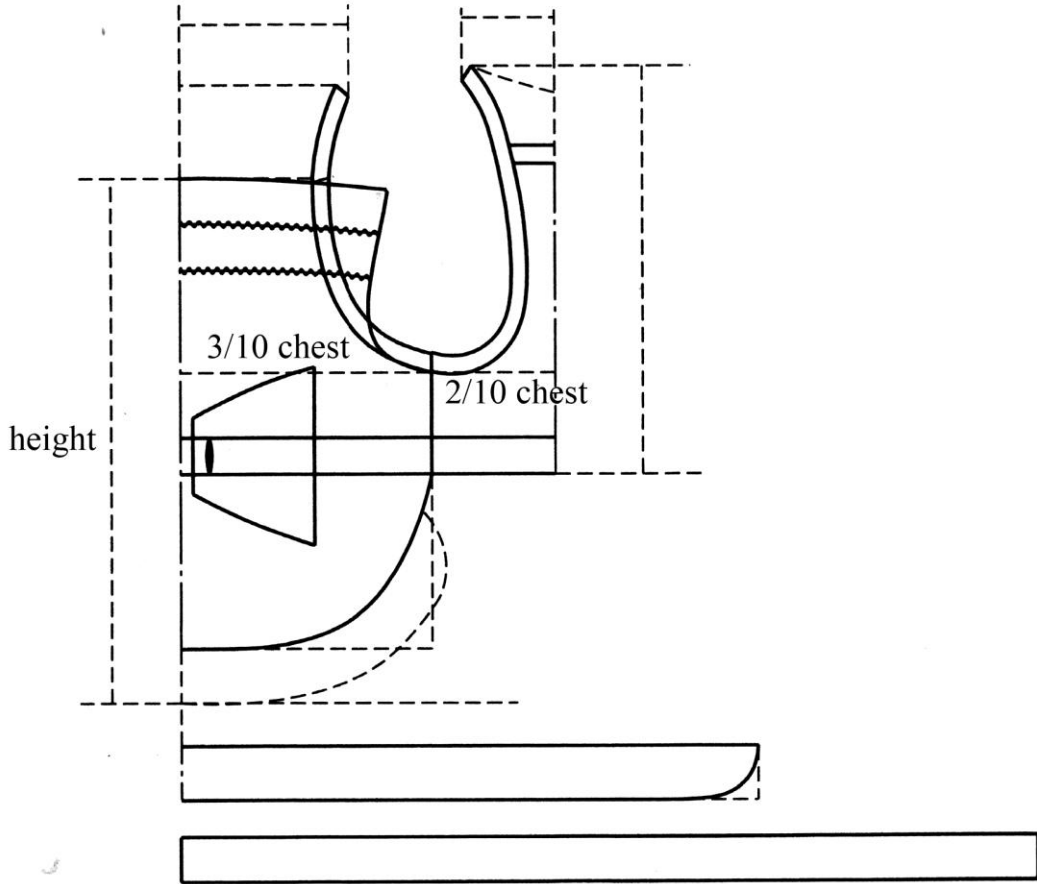
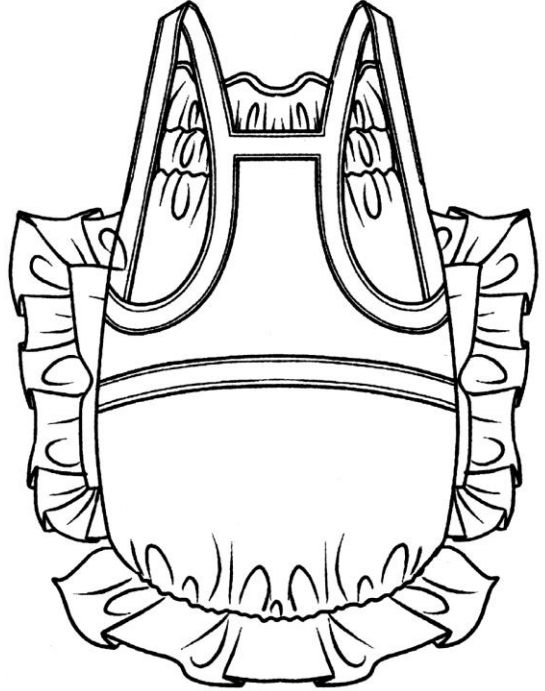
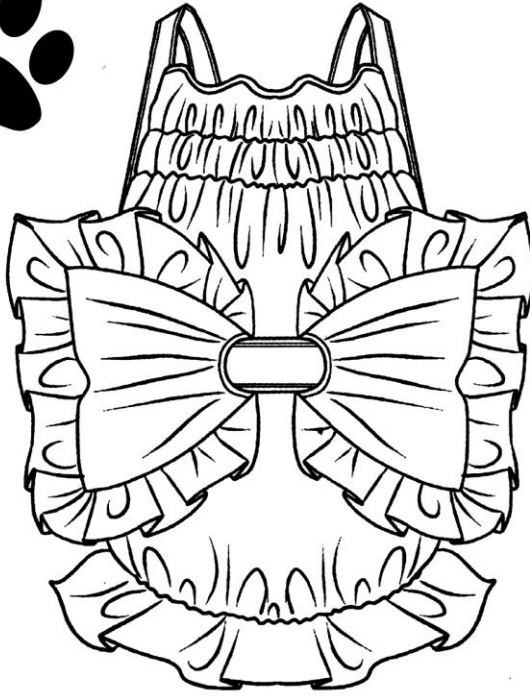


To make a pattern, measure the chest girth of your dog's and divide it by 24.

On a large sheet of paper, draw a grid with a square side equal to the value obtained.

Redraw the pattern by cells.

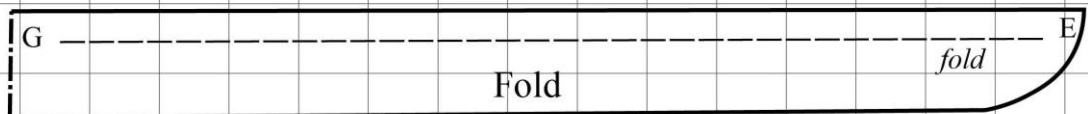
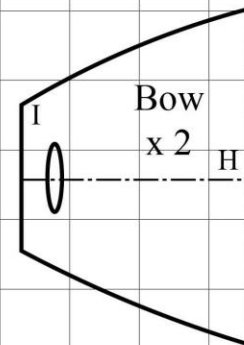
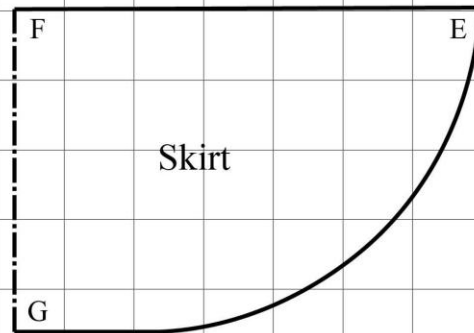
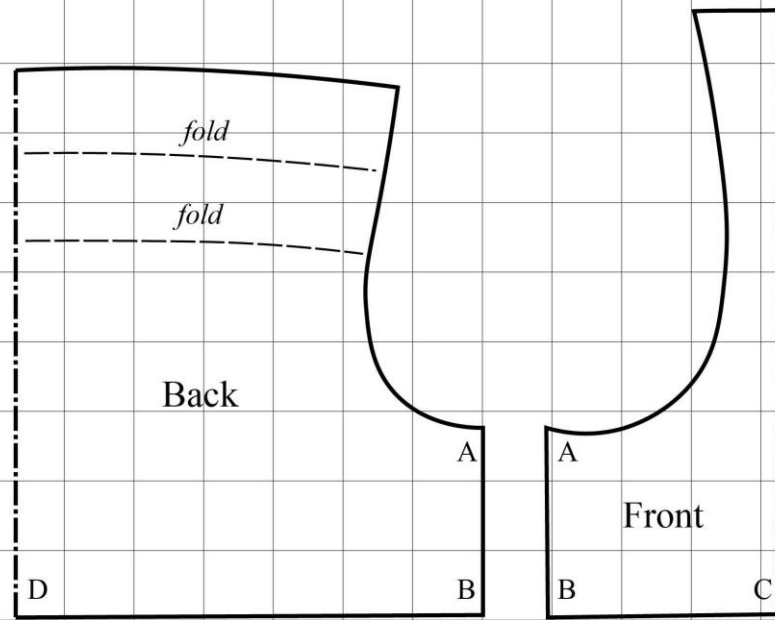


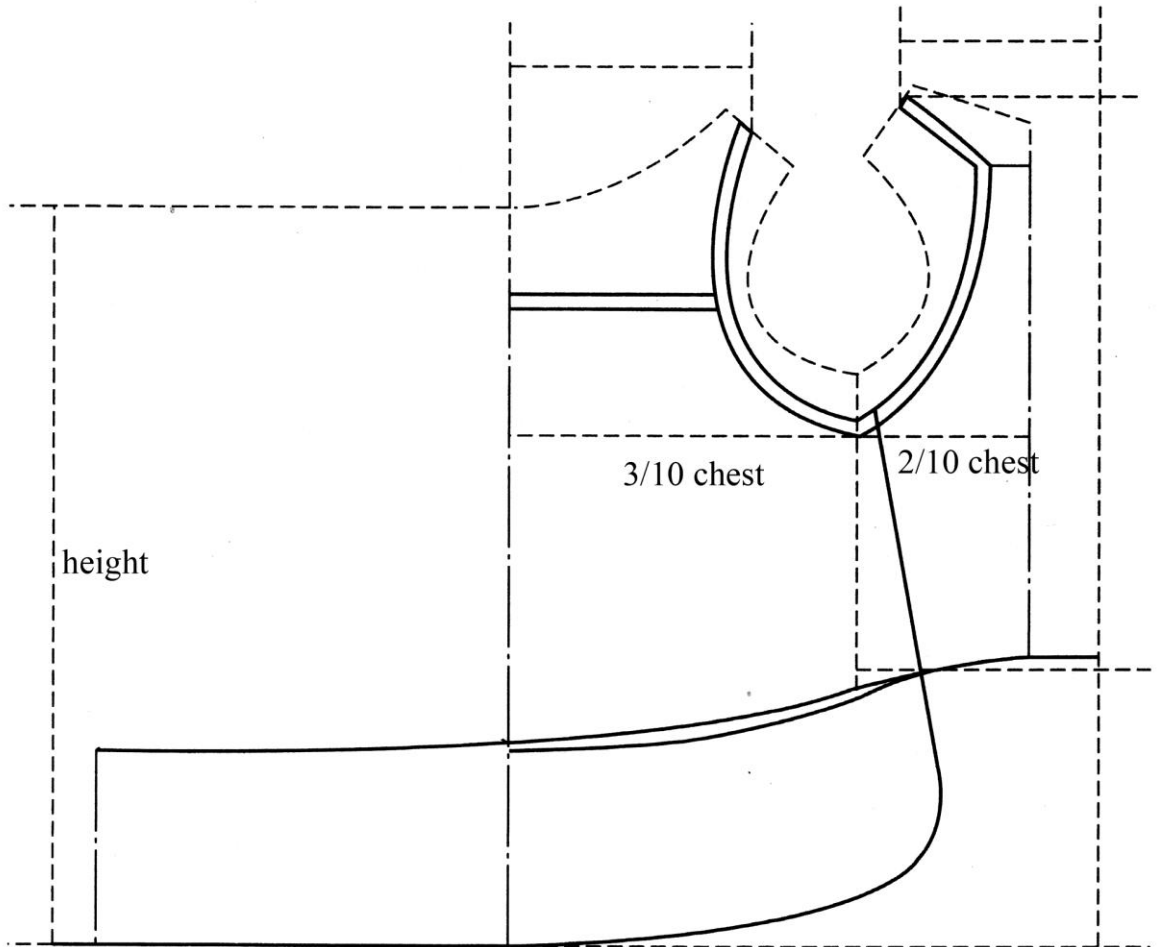
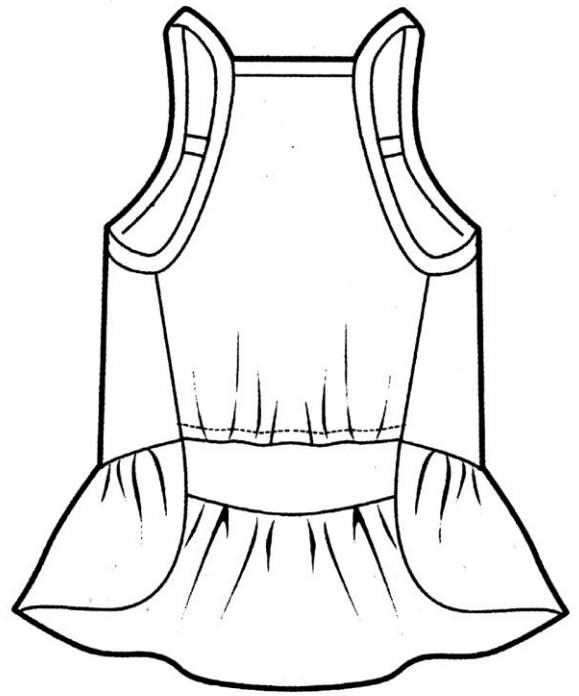
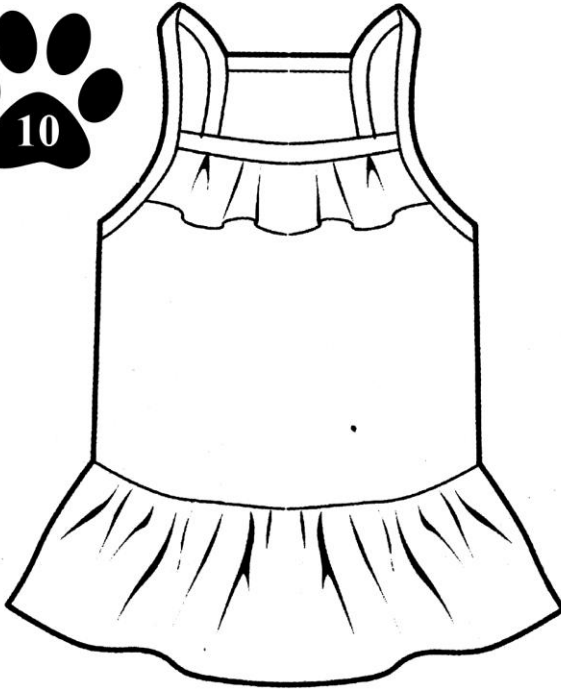


To make a pattern, measure the chest girth of your dog's and divide it by 20.

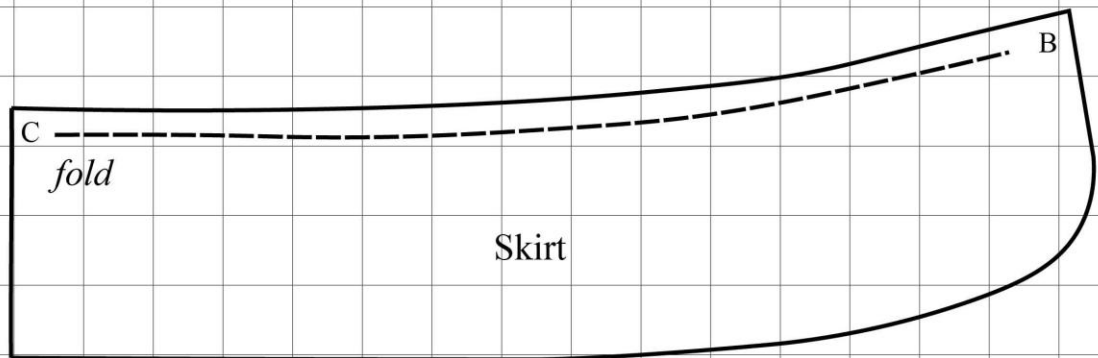
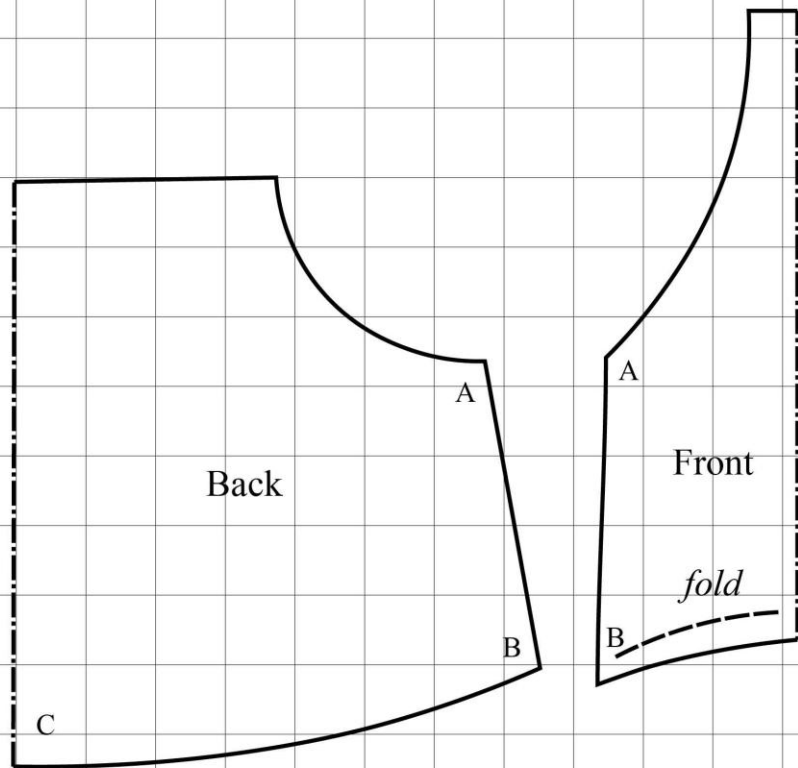
On a large sheet of paper, draw a grid with a square side equal to the value obtained.

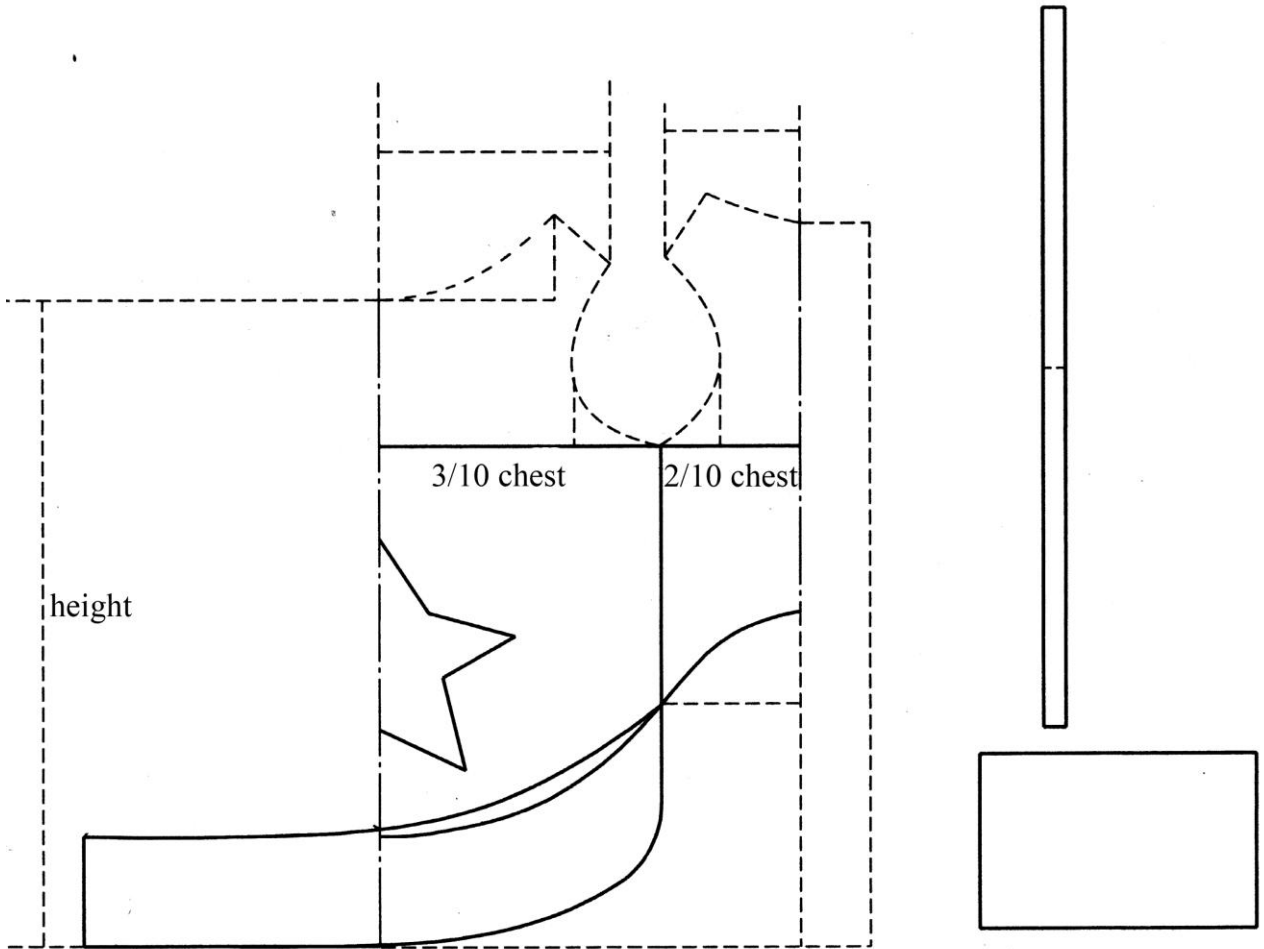
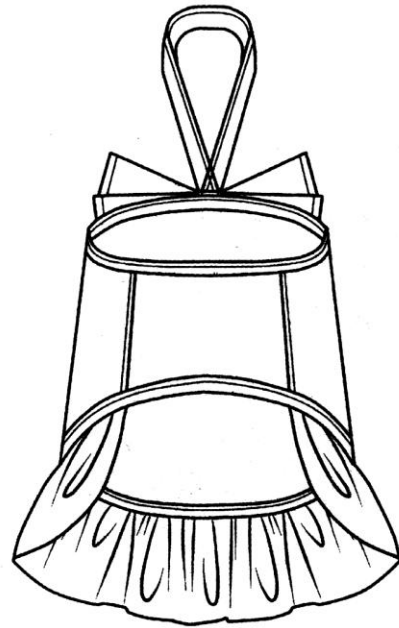
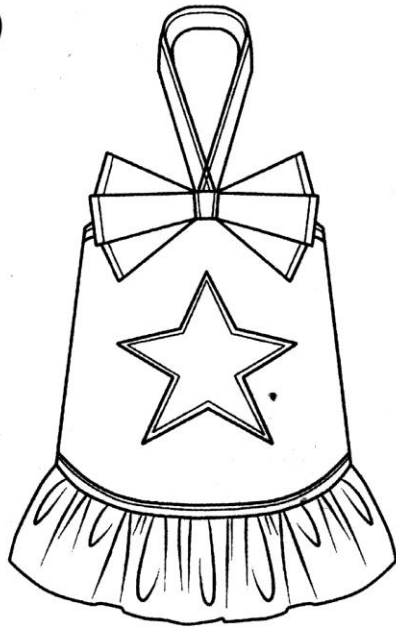
Redraw the pattern by cells.





To make a pattern, measure the chest girth of your dog's and divide it by 20.
On a large sheet of paper, draw a grid with a square side equal to the value obtained.
Redraw the pattern by cells.

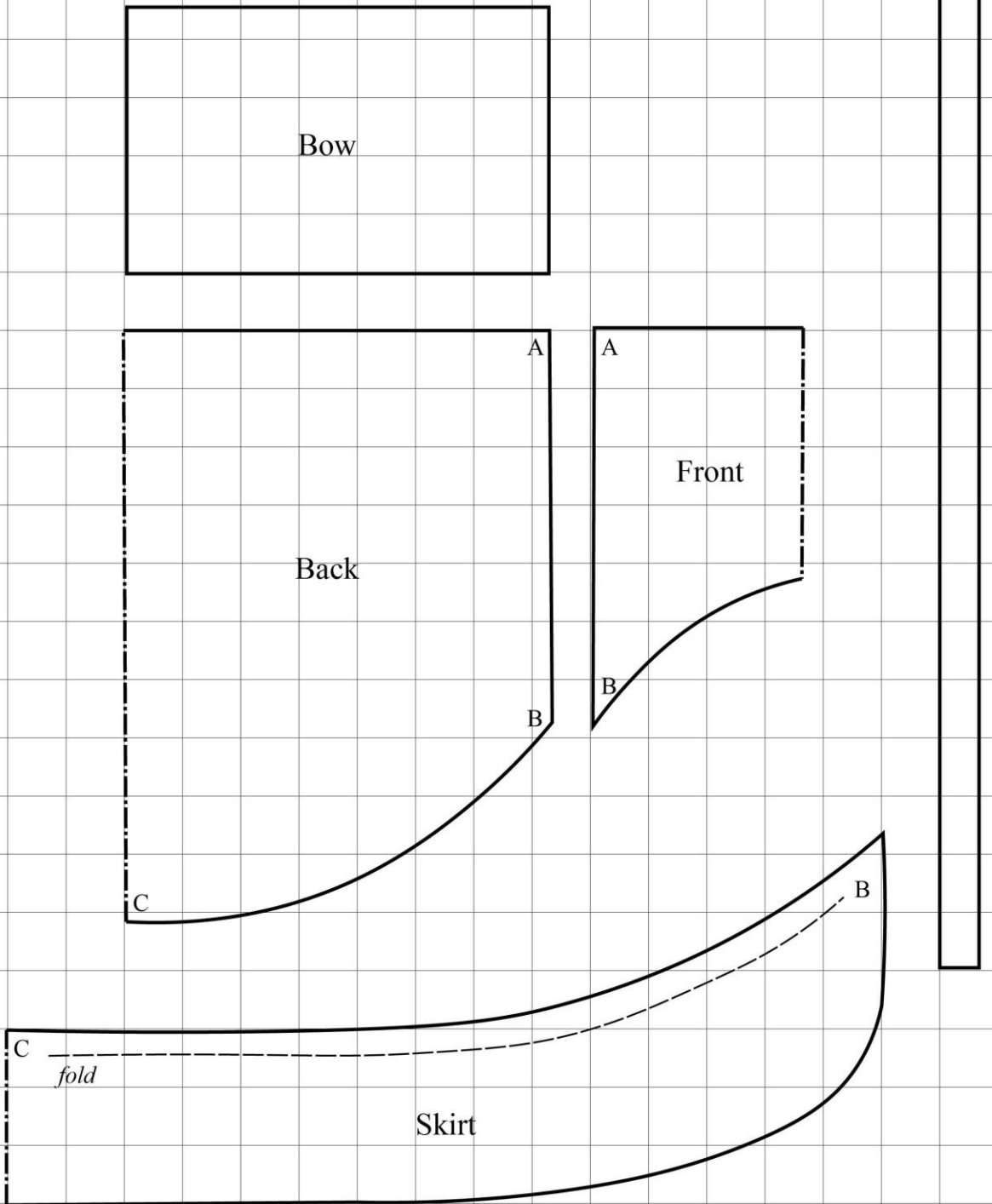


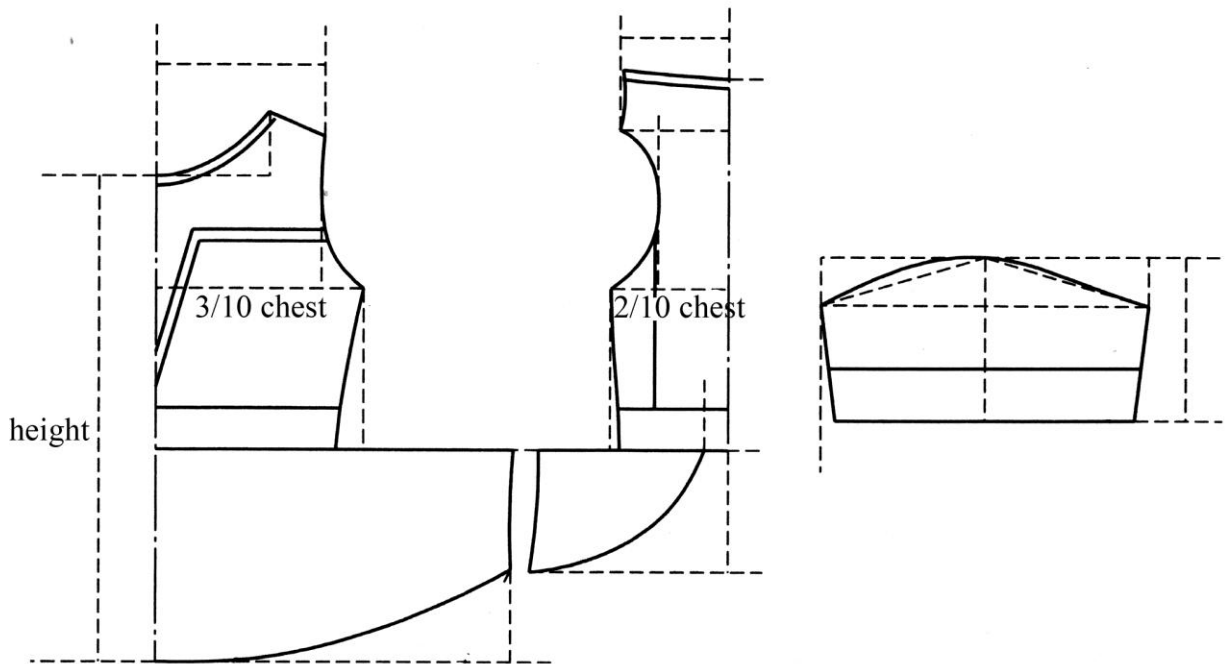
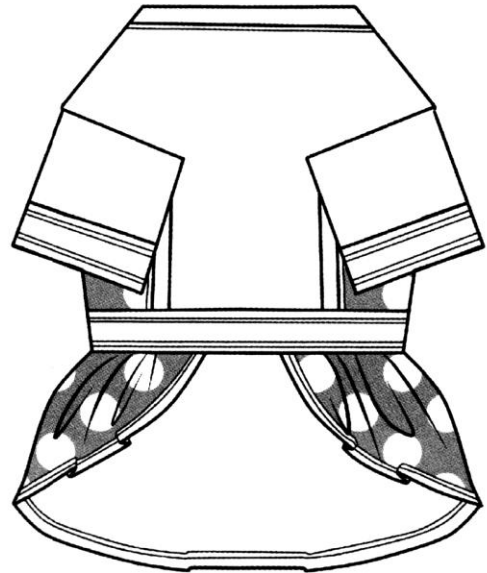


To make a pattern, measure the chest girth of your dog's and divide it by 22.

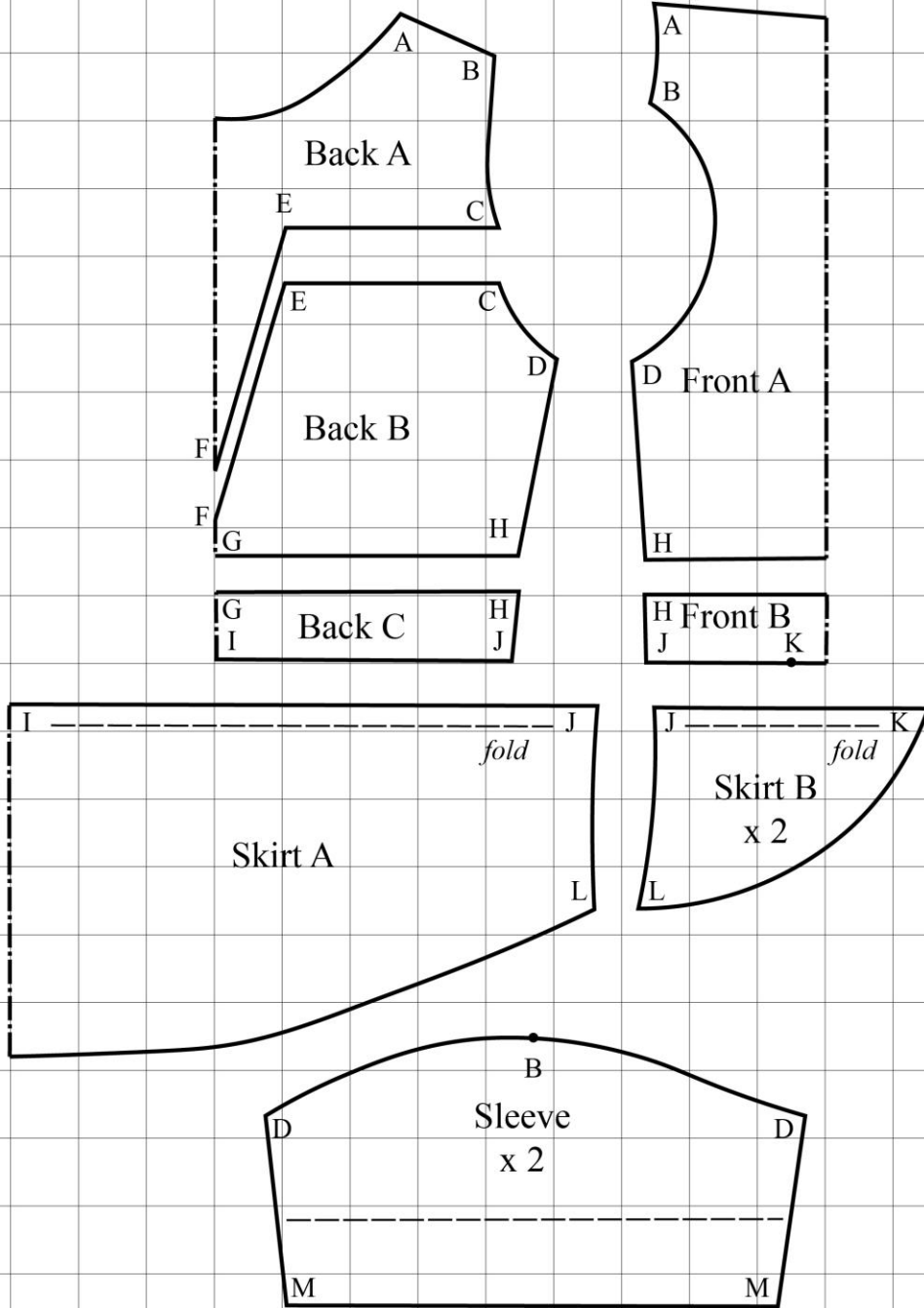
On a large sheet of paper, draw a grid with a square side equal to the value obtained.

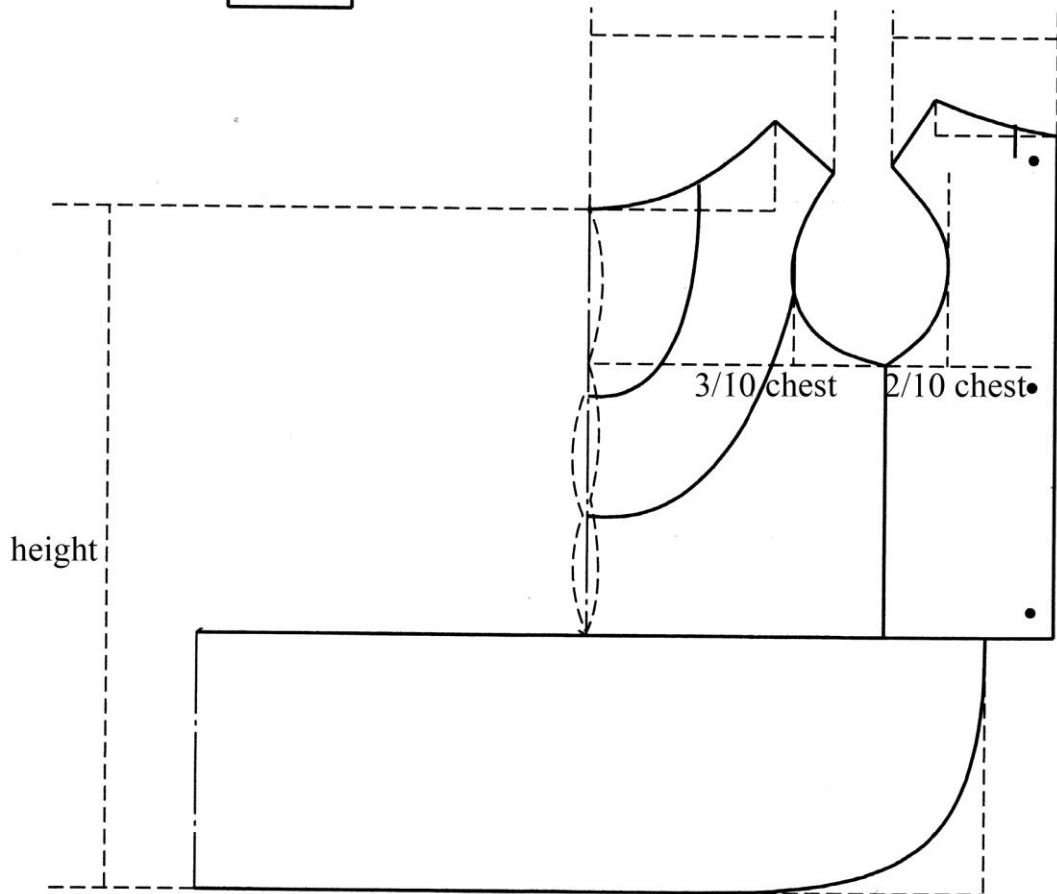
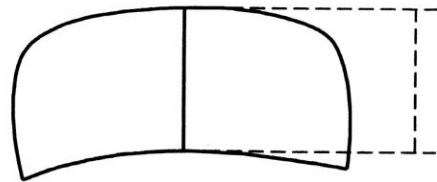
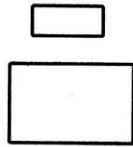
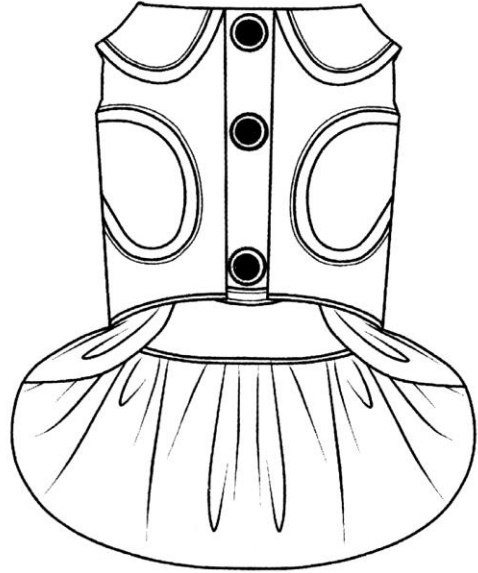
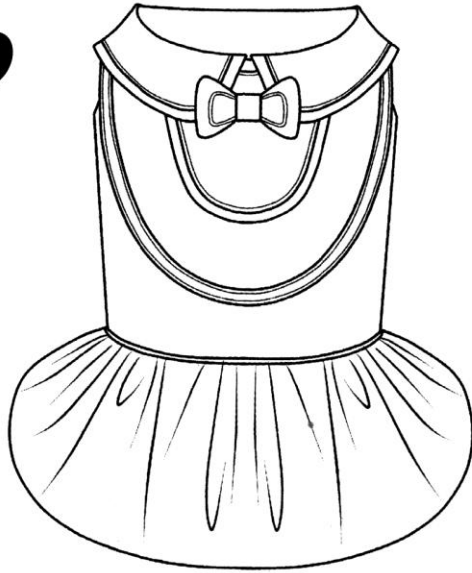
Redraw the pattern by cells.





To make a pattern, measure the chest girth of your dog's and divide it by 16.
On a large sheet of paper, draw a grid with a square side equal to the value obtained.
Redraw the pattern by cells.

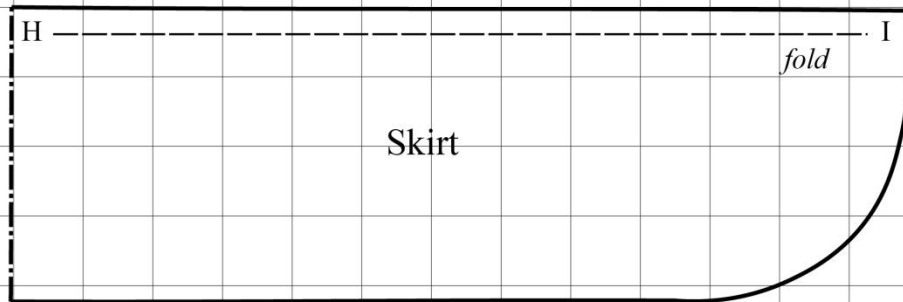
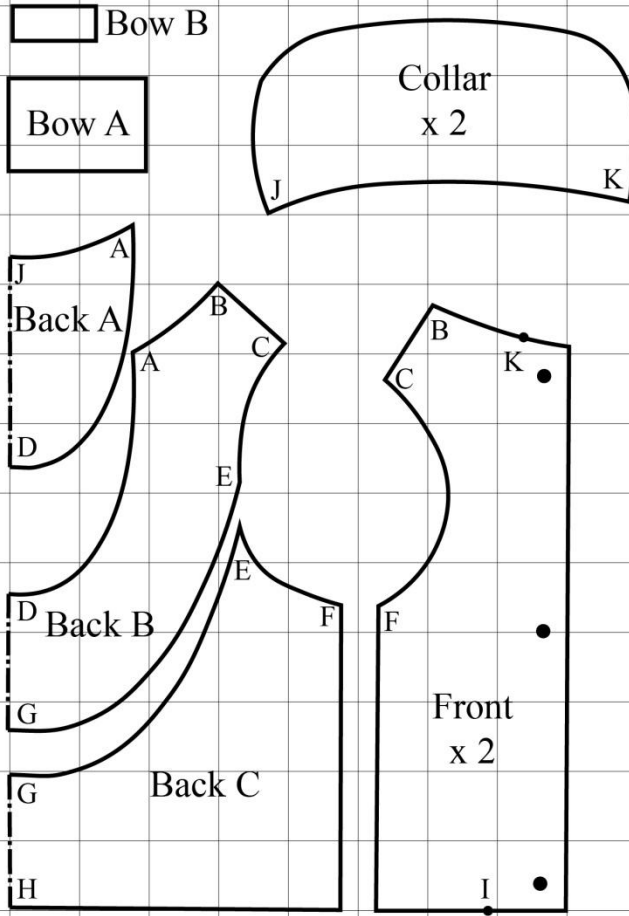


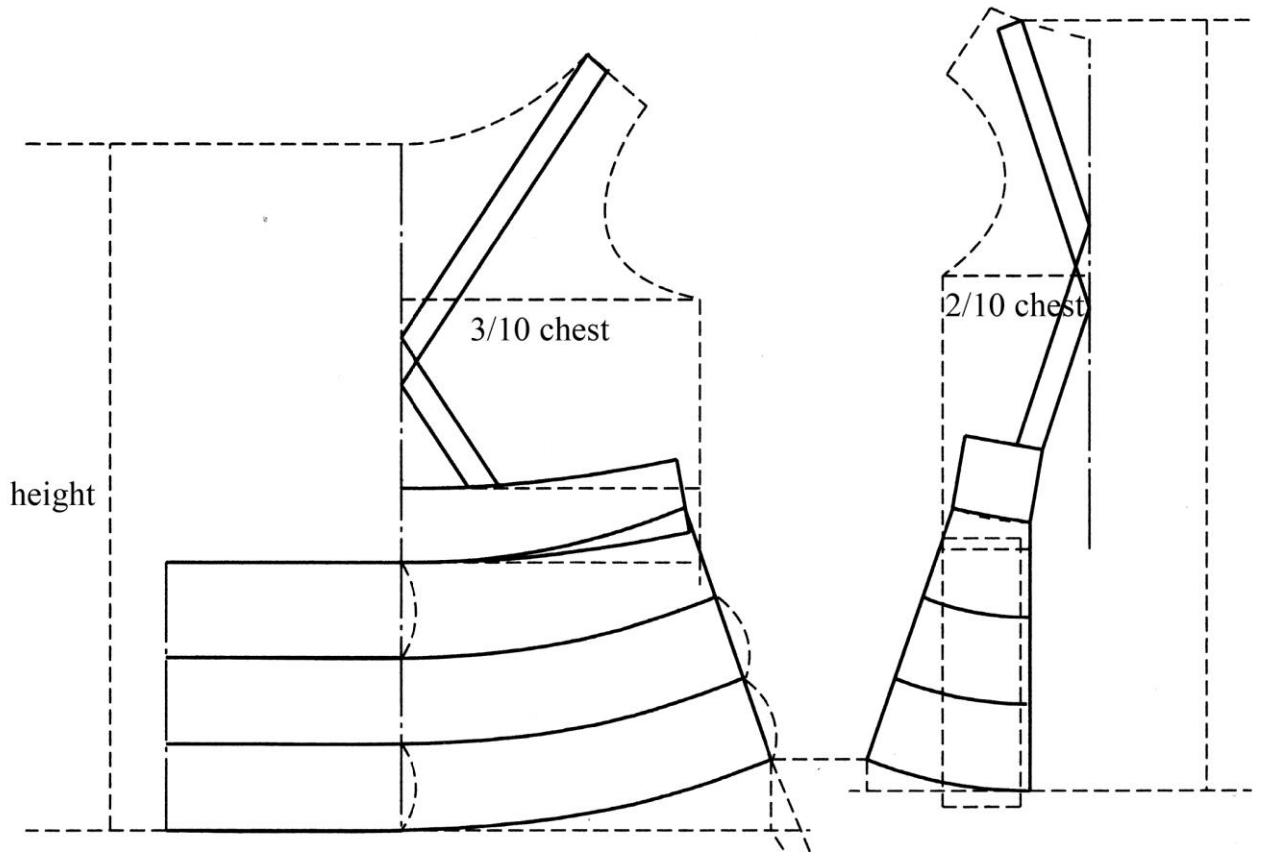
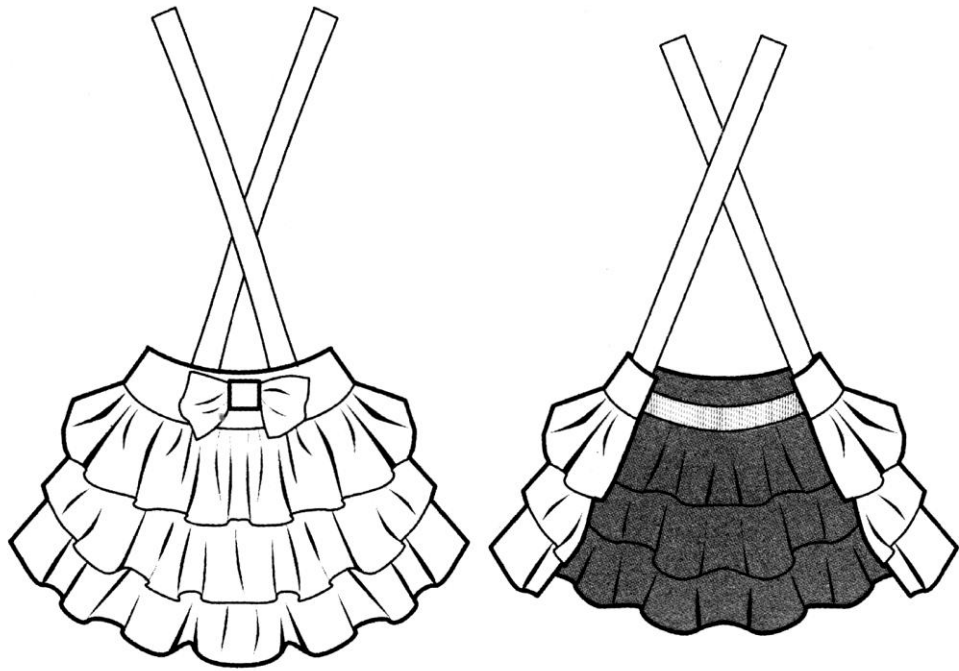


To make a pattern, measure the distance from the base of the neck to the root of your dog's tail and divide it by 11.

On a large sheet of paper, draw a grid with a square side equal to the value obtained.

Redraw the pattern by cells.

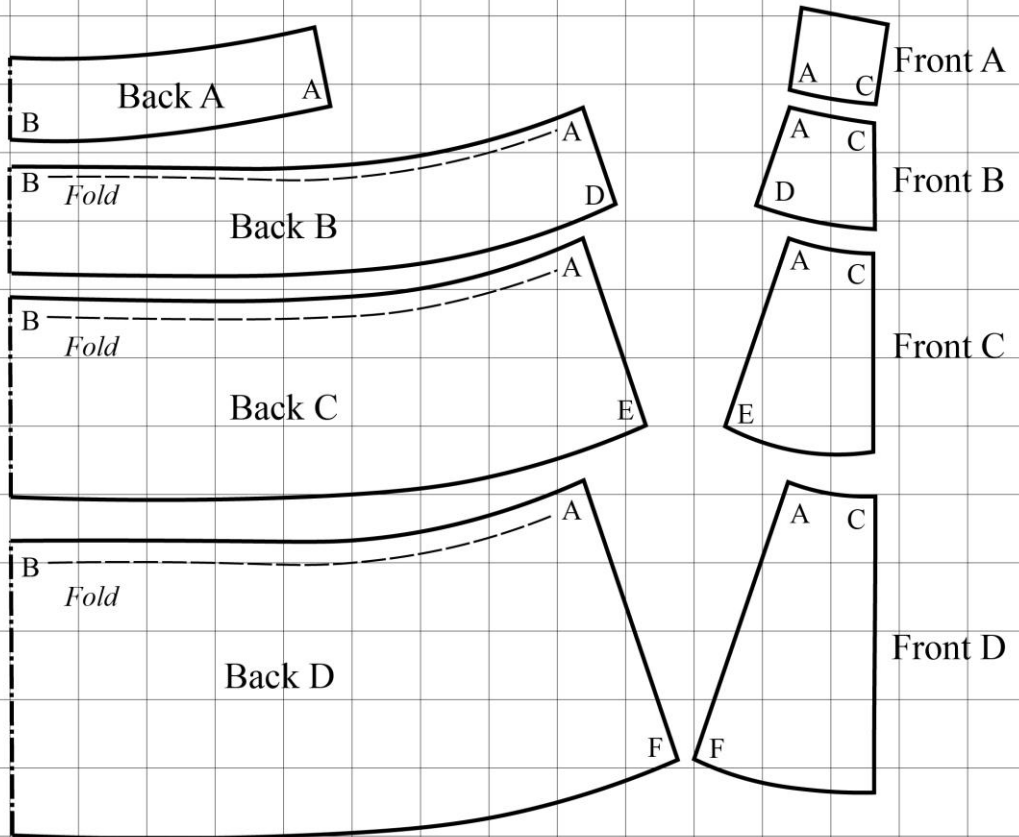


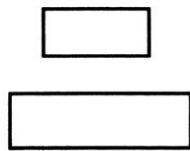
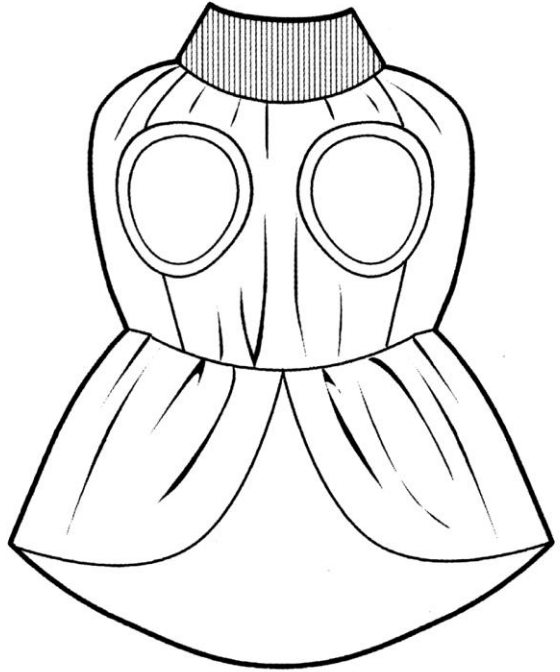
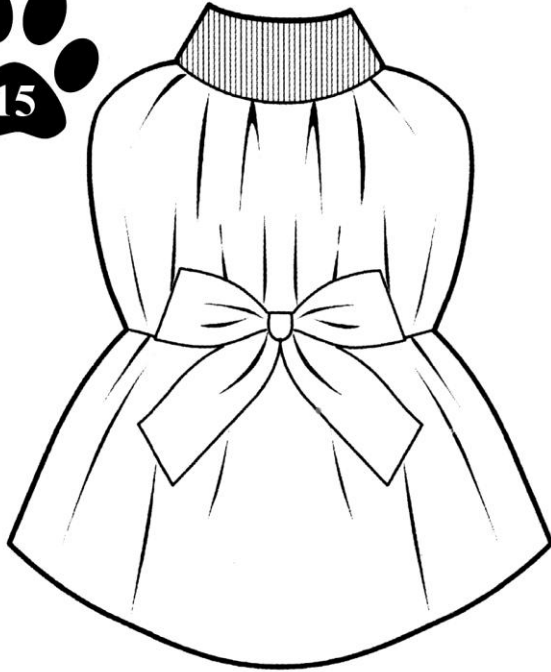


To make a pattern, measure the chest girth of your dog's and divide it by 14.

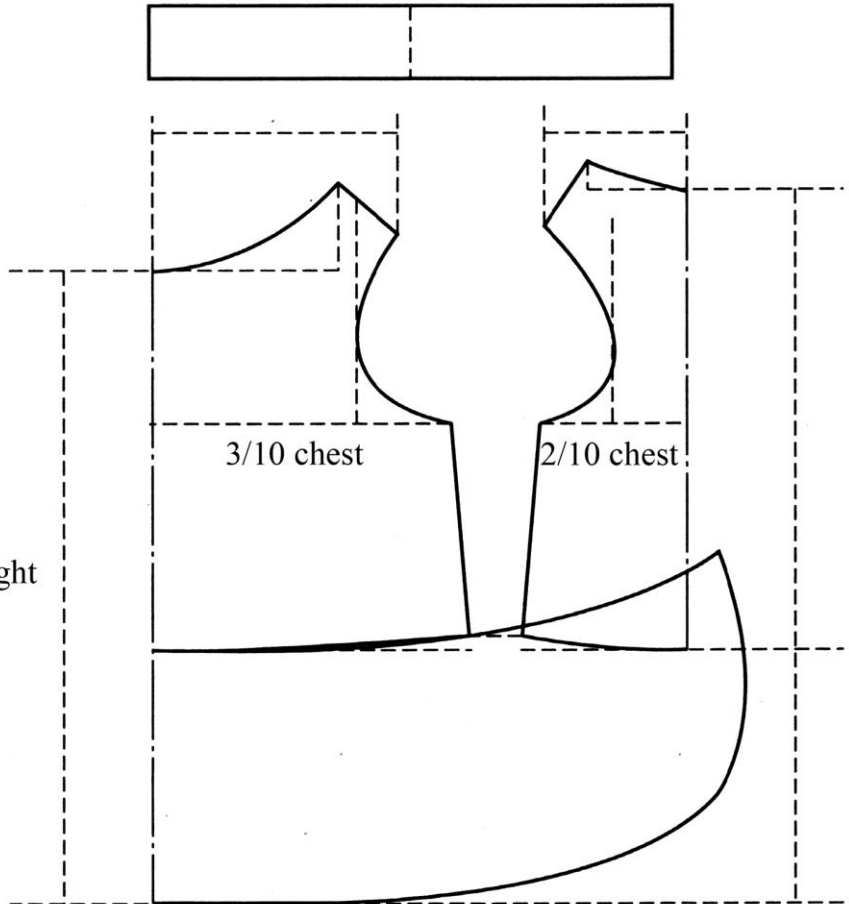
On a large sheet of paper, draw a grid with a square side equal to the value obtained.

Redraw the pattern by cells.

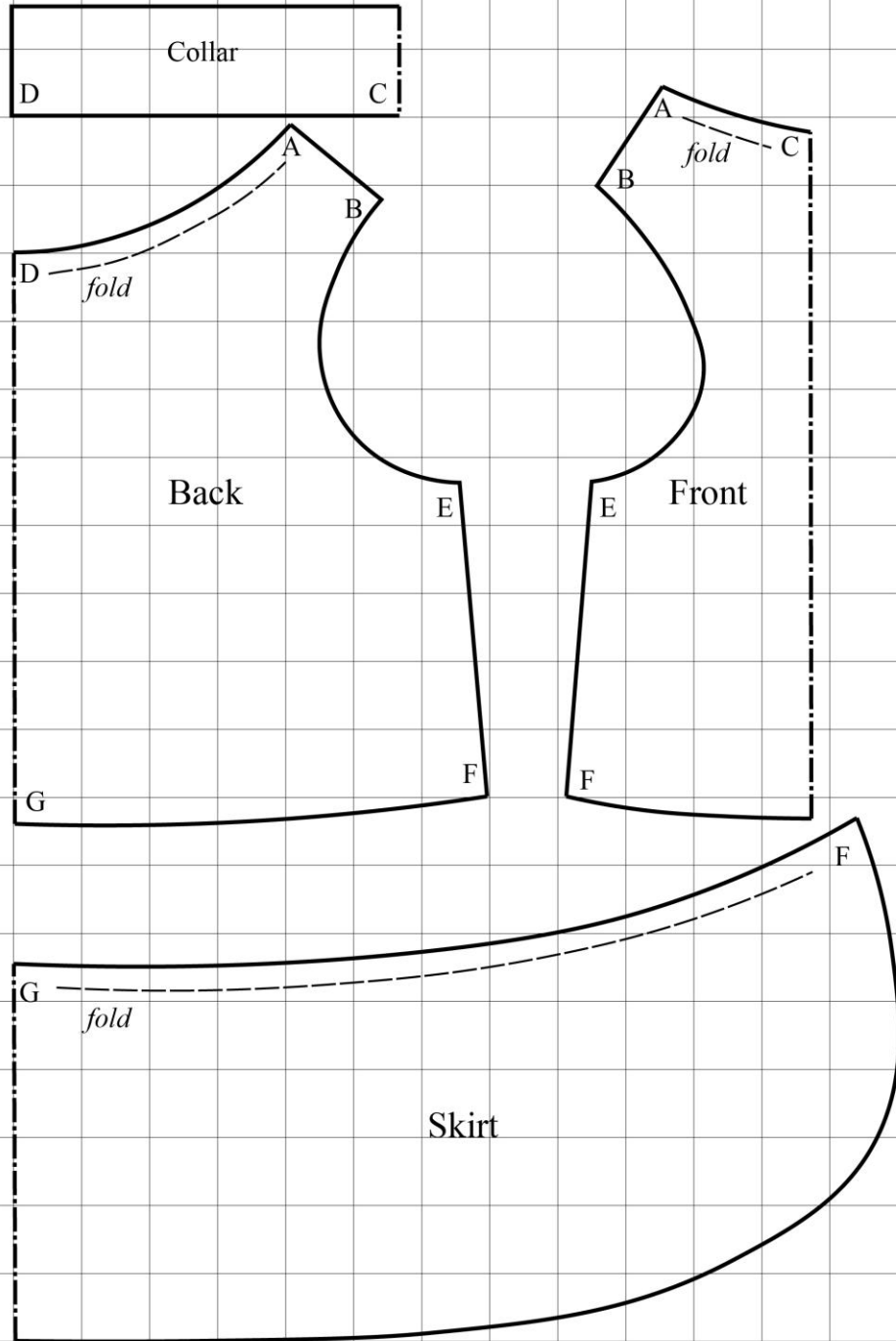


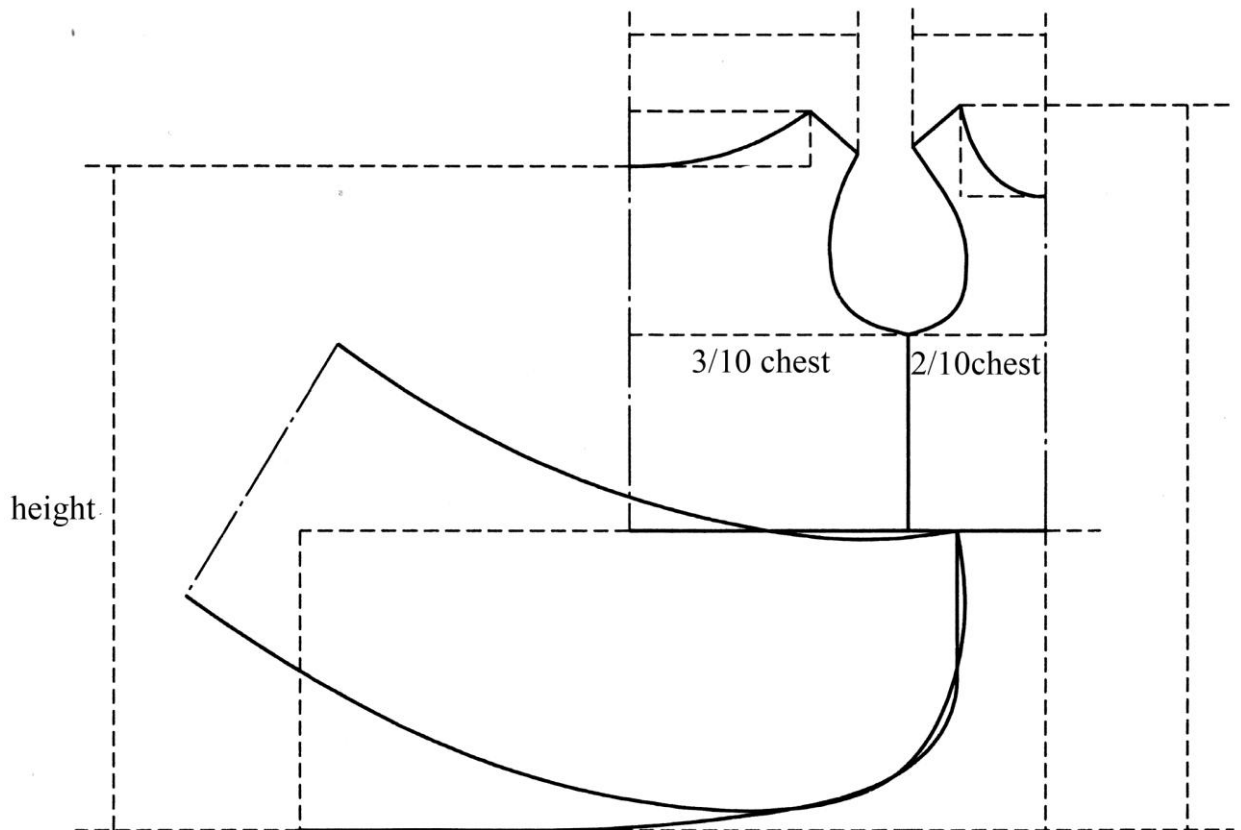
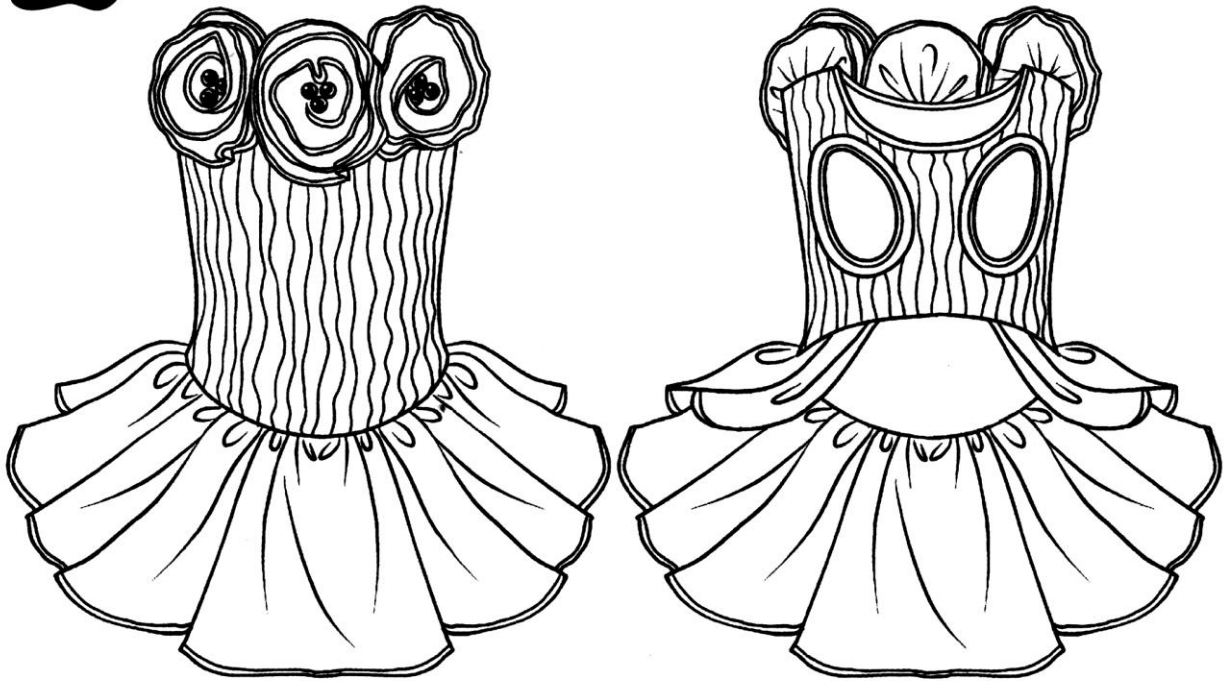


height



To make a pattern, measure the chest girth of your dog's and divide it by 20.
On a large sheet of paper, draw a grid with a square side equal to the value obtained.
Redraw the pattern by cells.

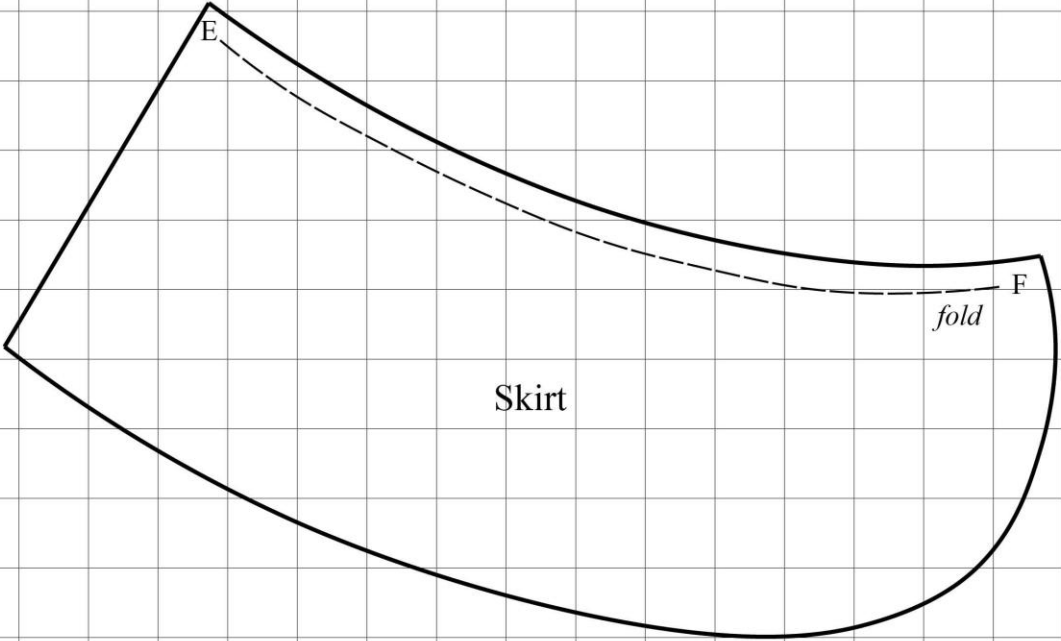
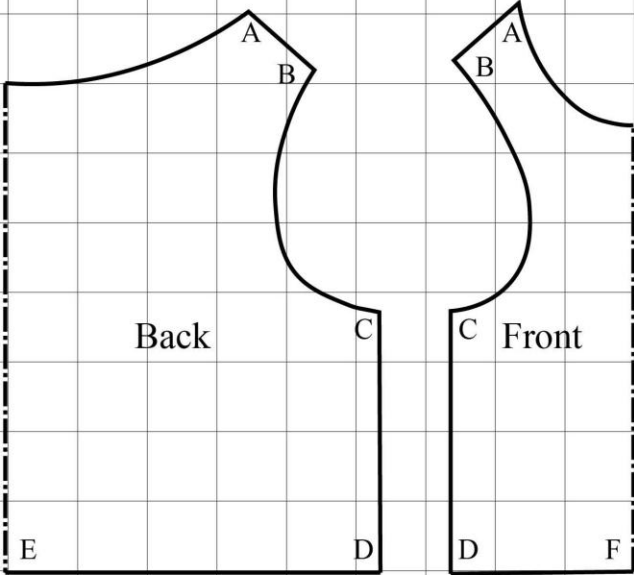


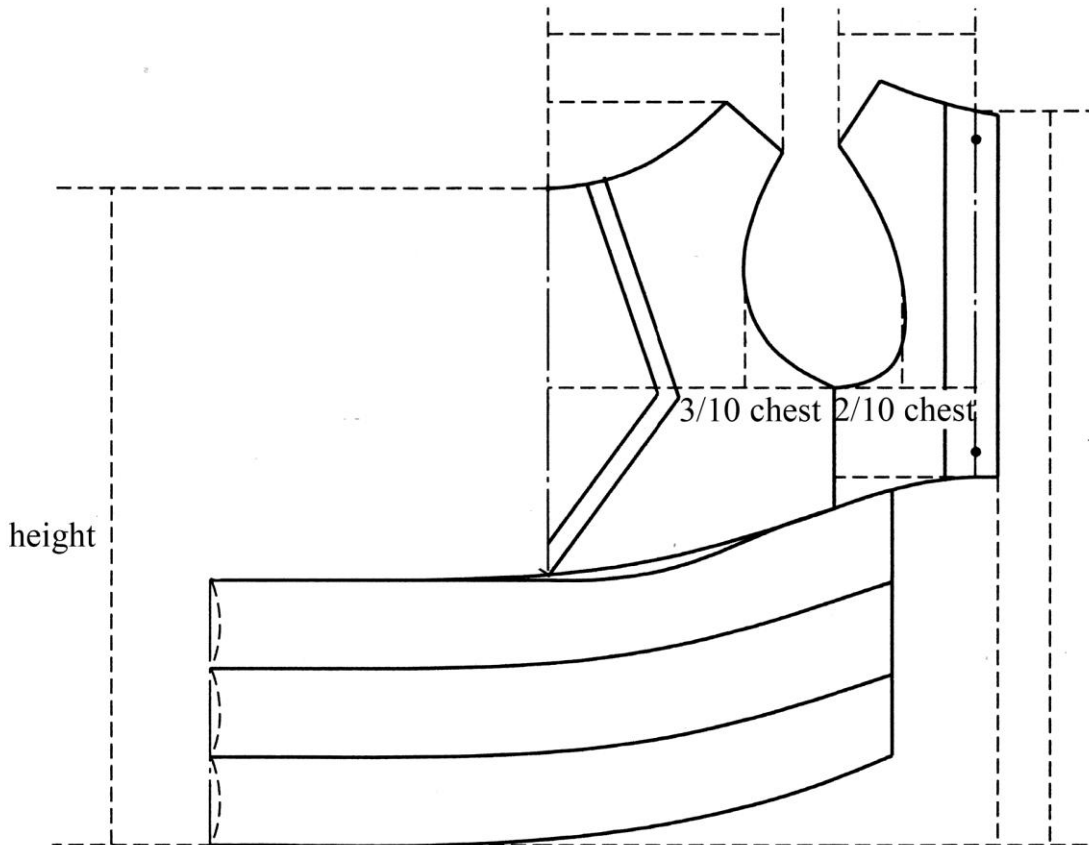
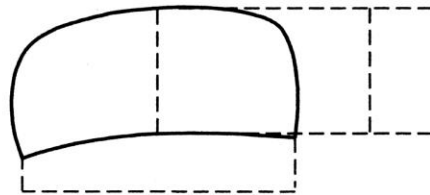


To make a pattern, measure the chest girth of your dog and divide it by 18.

On a large sheet of paper, draw a grid with a square side equal to the value obtained.

Redraw the pattern by cells.

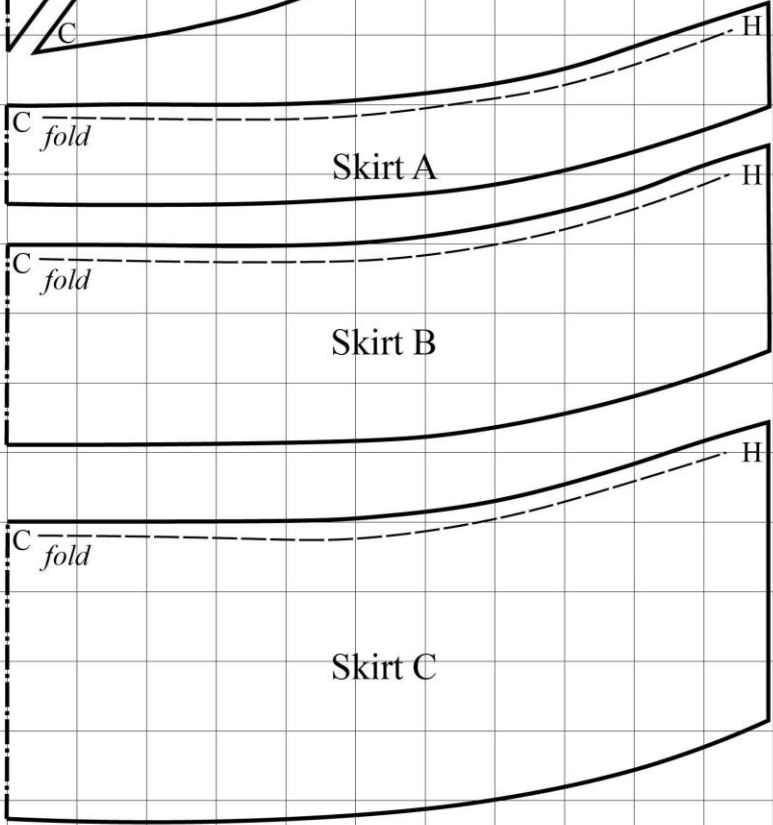
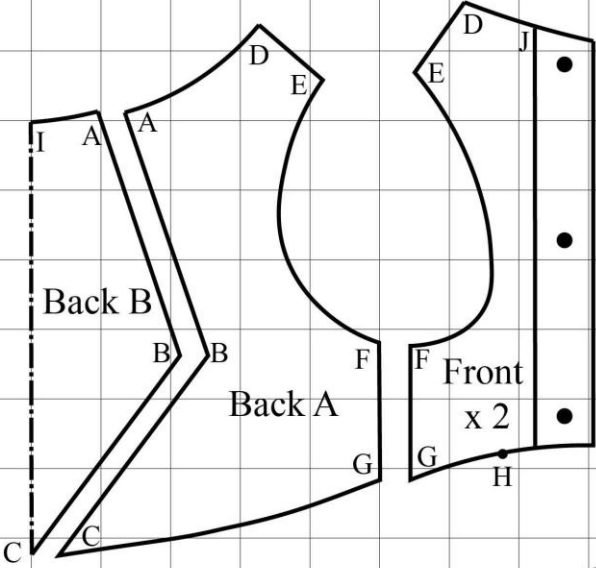
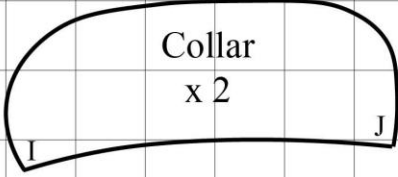


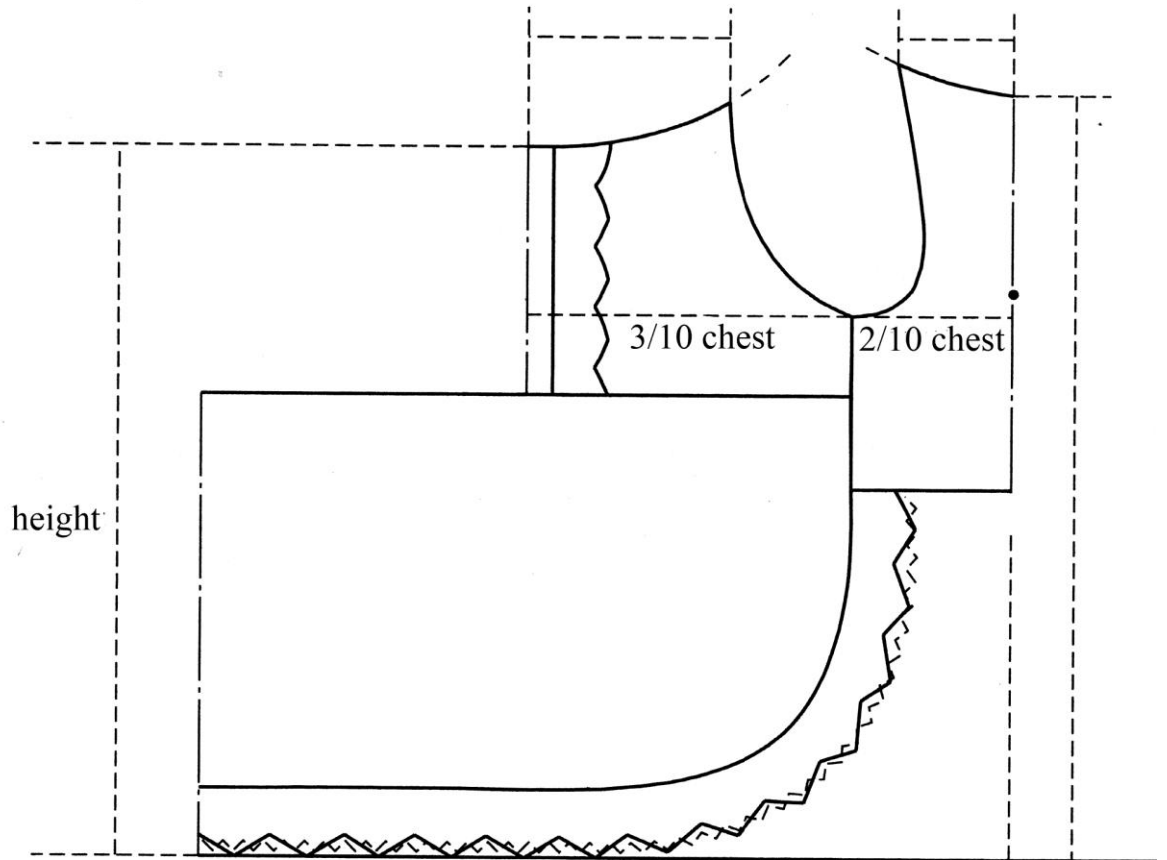
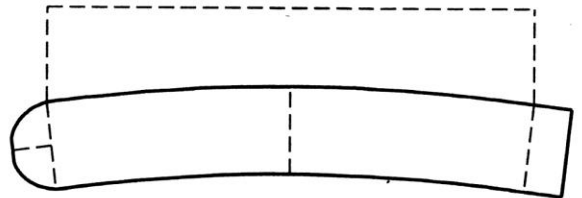
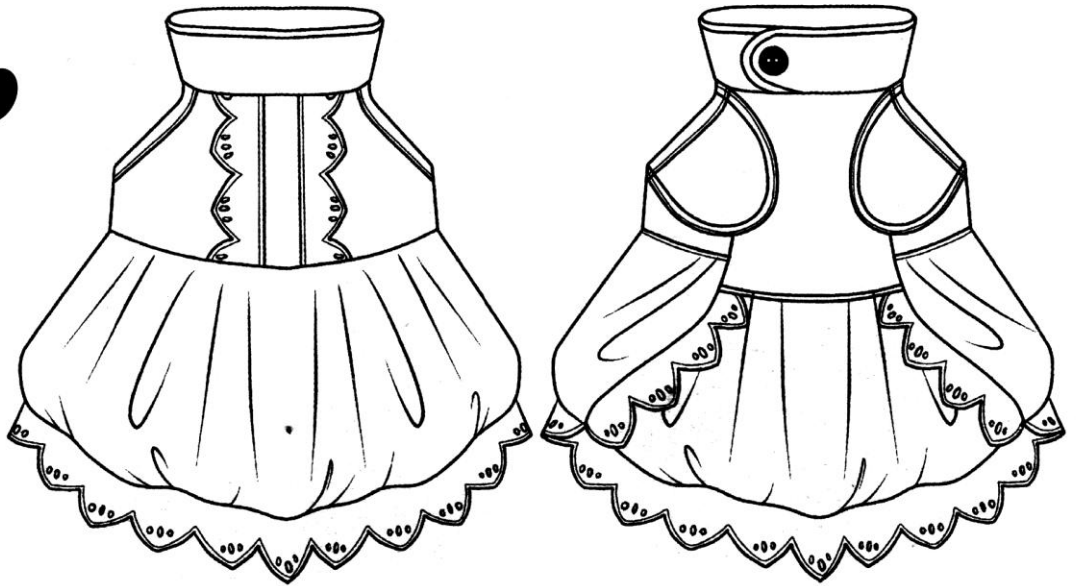


To make a pattern, measure the chest girth of your dog and divide it by 17.

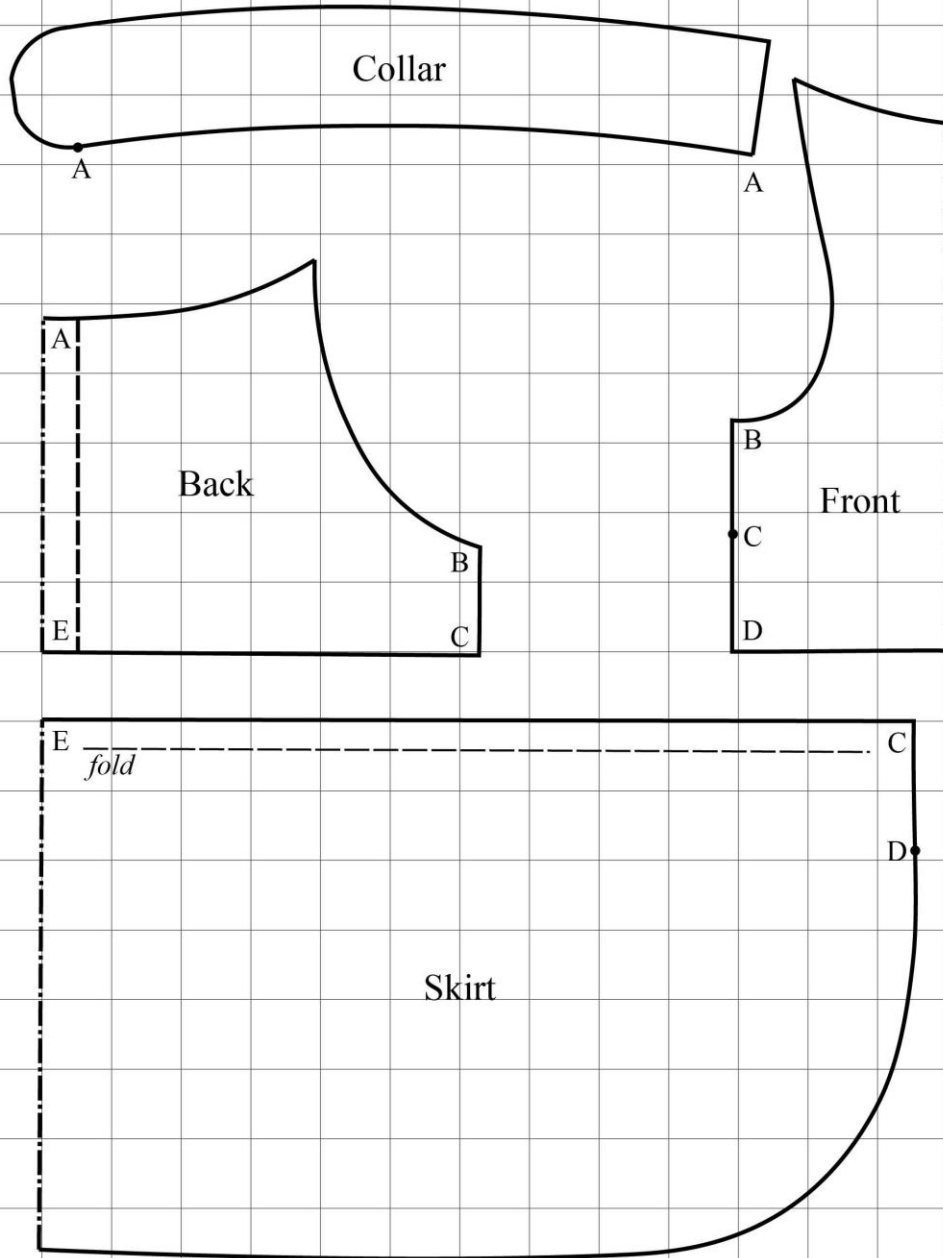
On a large sheet of paper, draw a grid with a square side equal to the value obtained.

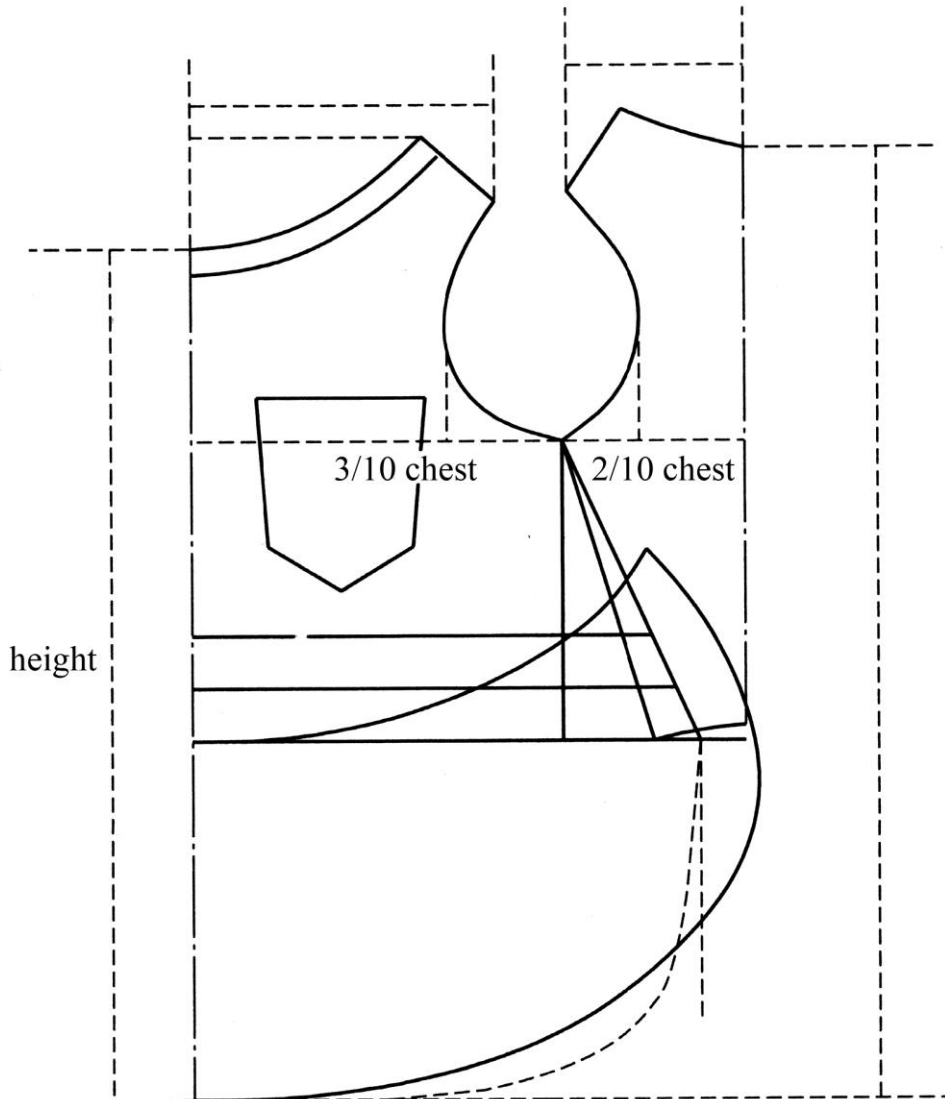
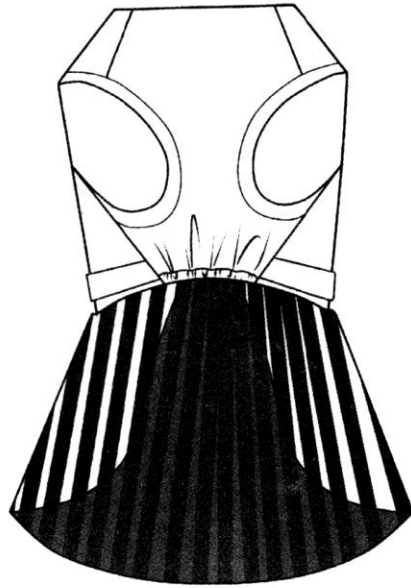
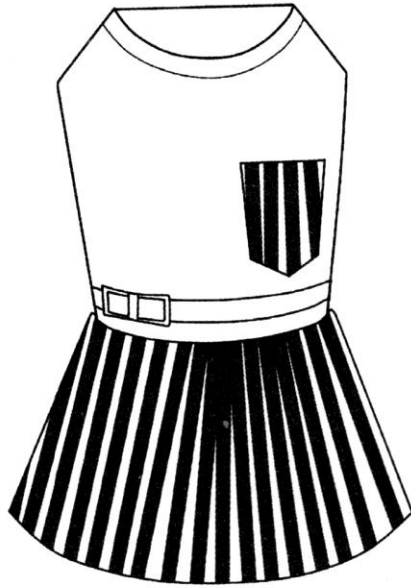
Redraw the pattern by cells.



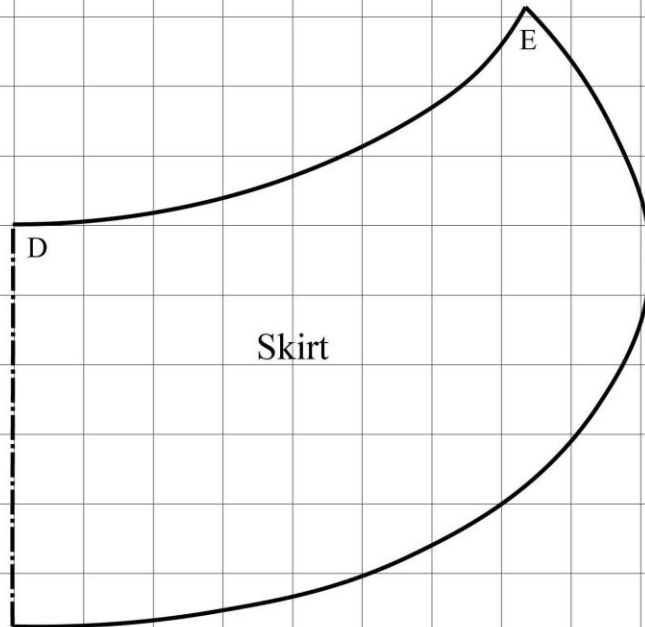
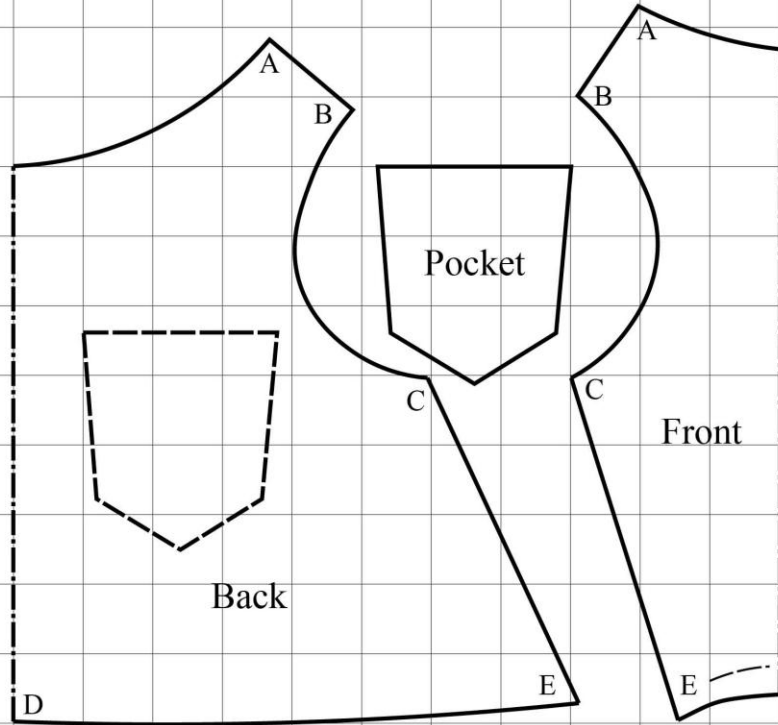


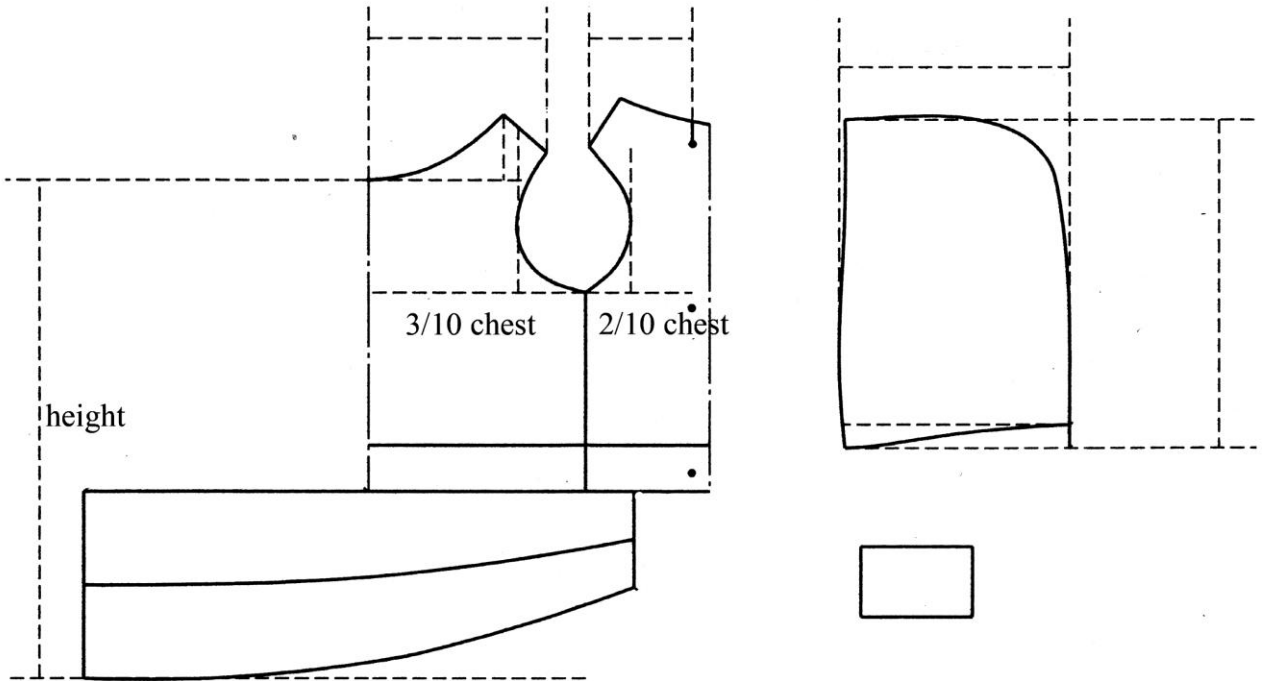
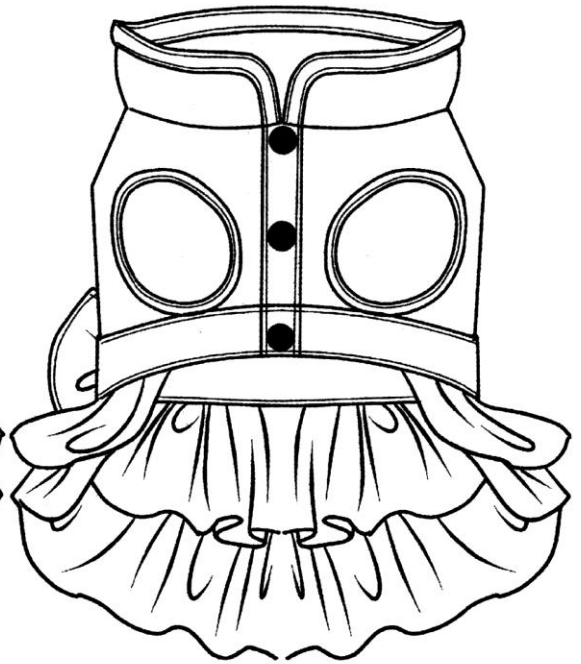
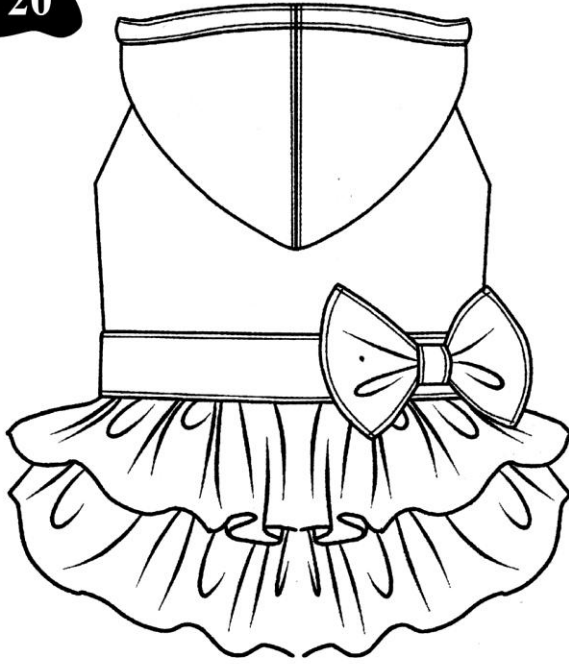
To make a pattern, measure the chest girth of your dog and divide it by 20
On a large sheet of paper, draw a grid with a square side equal to the value obtained.
Redraw the pattern by cells.





To make a pattern, measure the chest girth of your dog and divide it by 18.
On a large sheet of paper, draw a grid with a square side equal to the value obtained.
Redraw the pattern by cells.

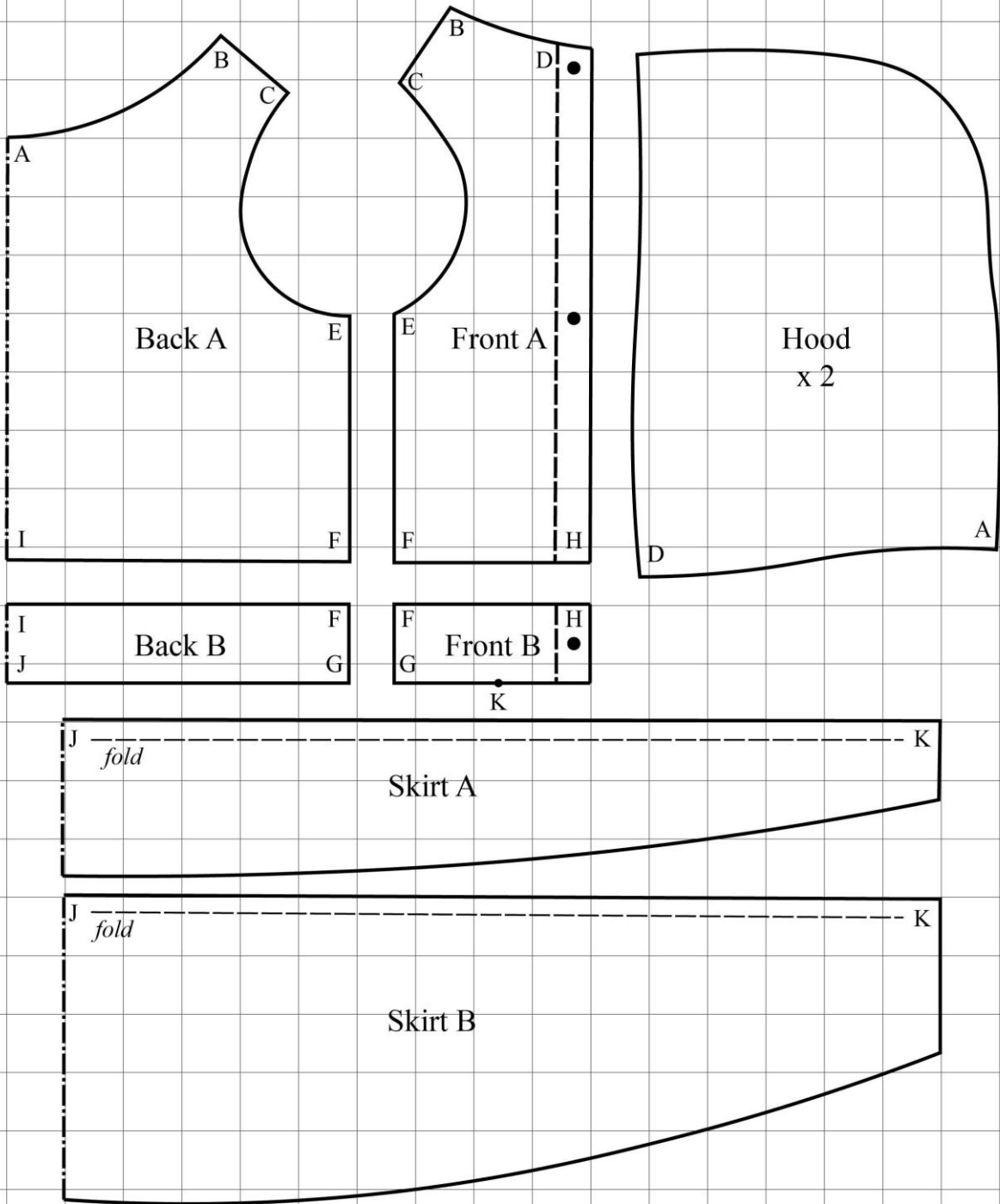


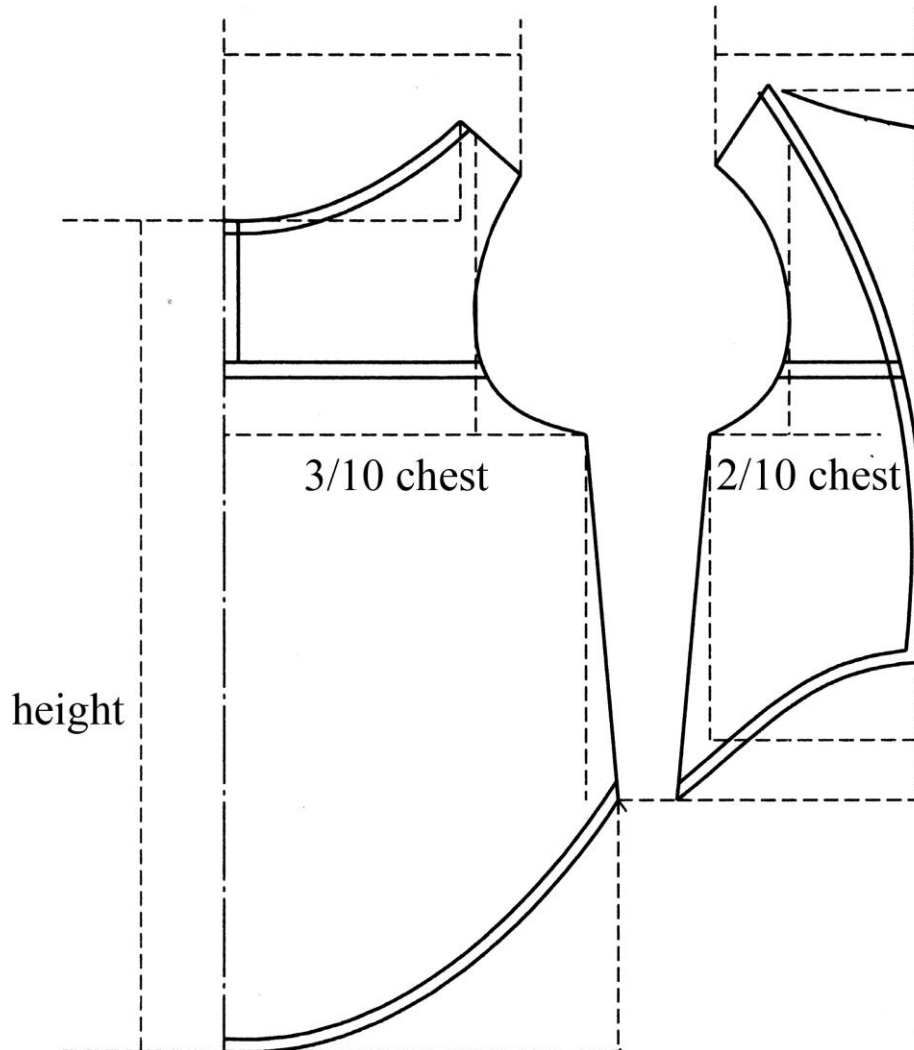
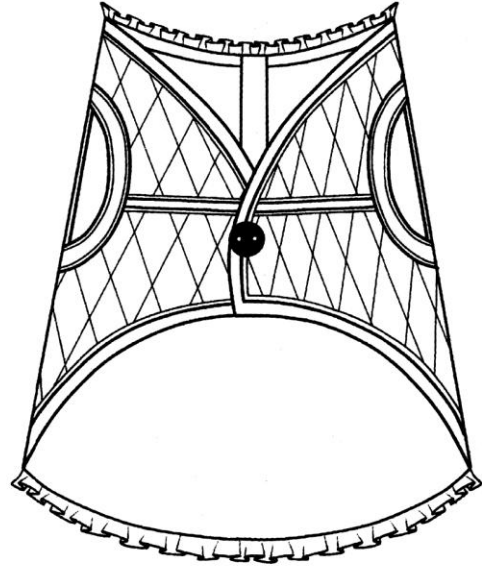
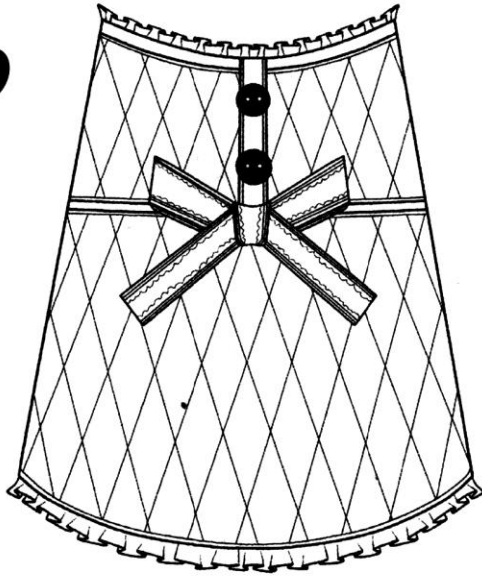


To make a pattern, measure the chest girth of your dog and divide it by 20.

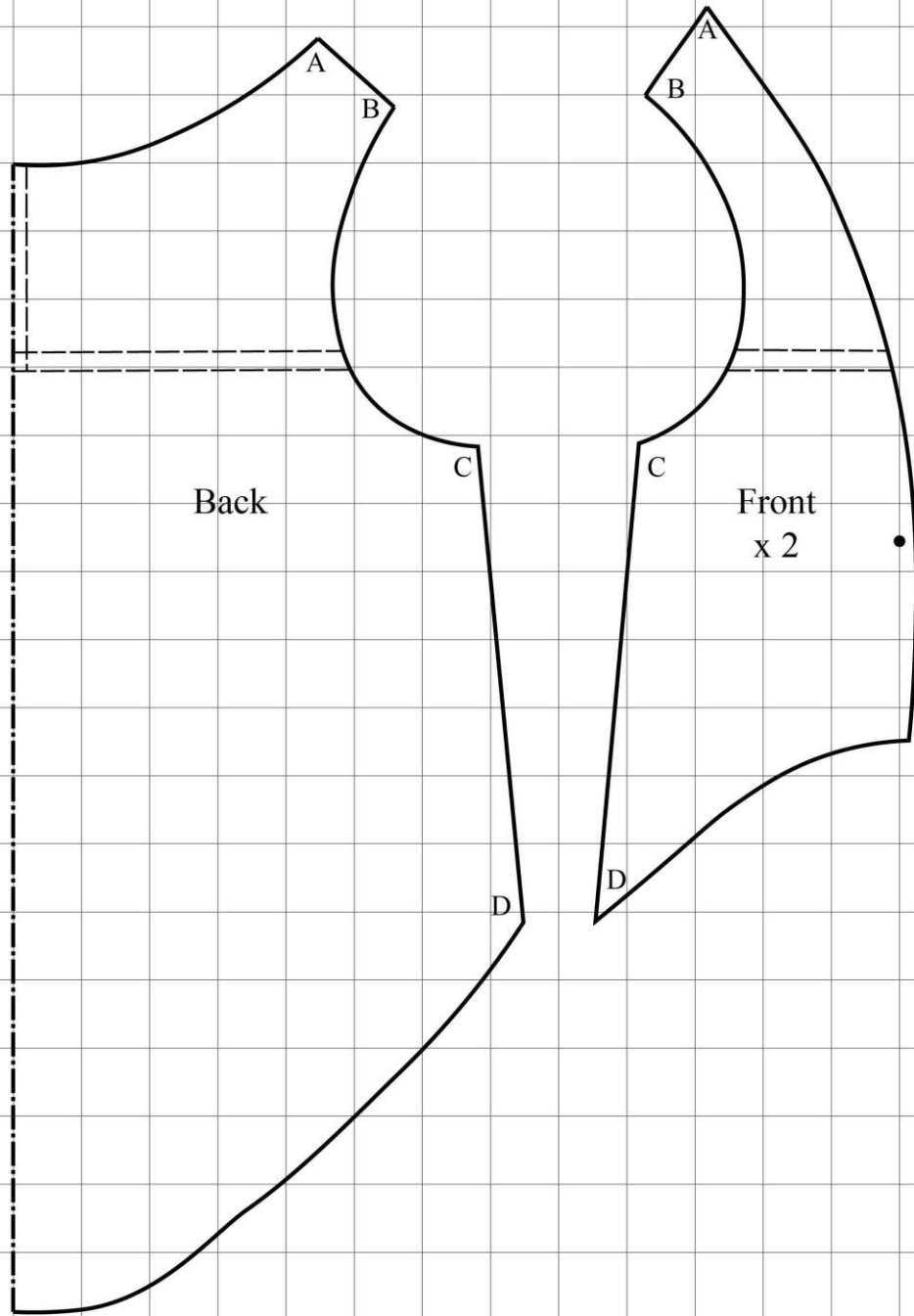
On a large sheet of paper, draw a grid with a square side equal to the value obtained.

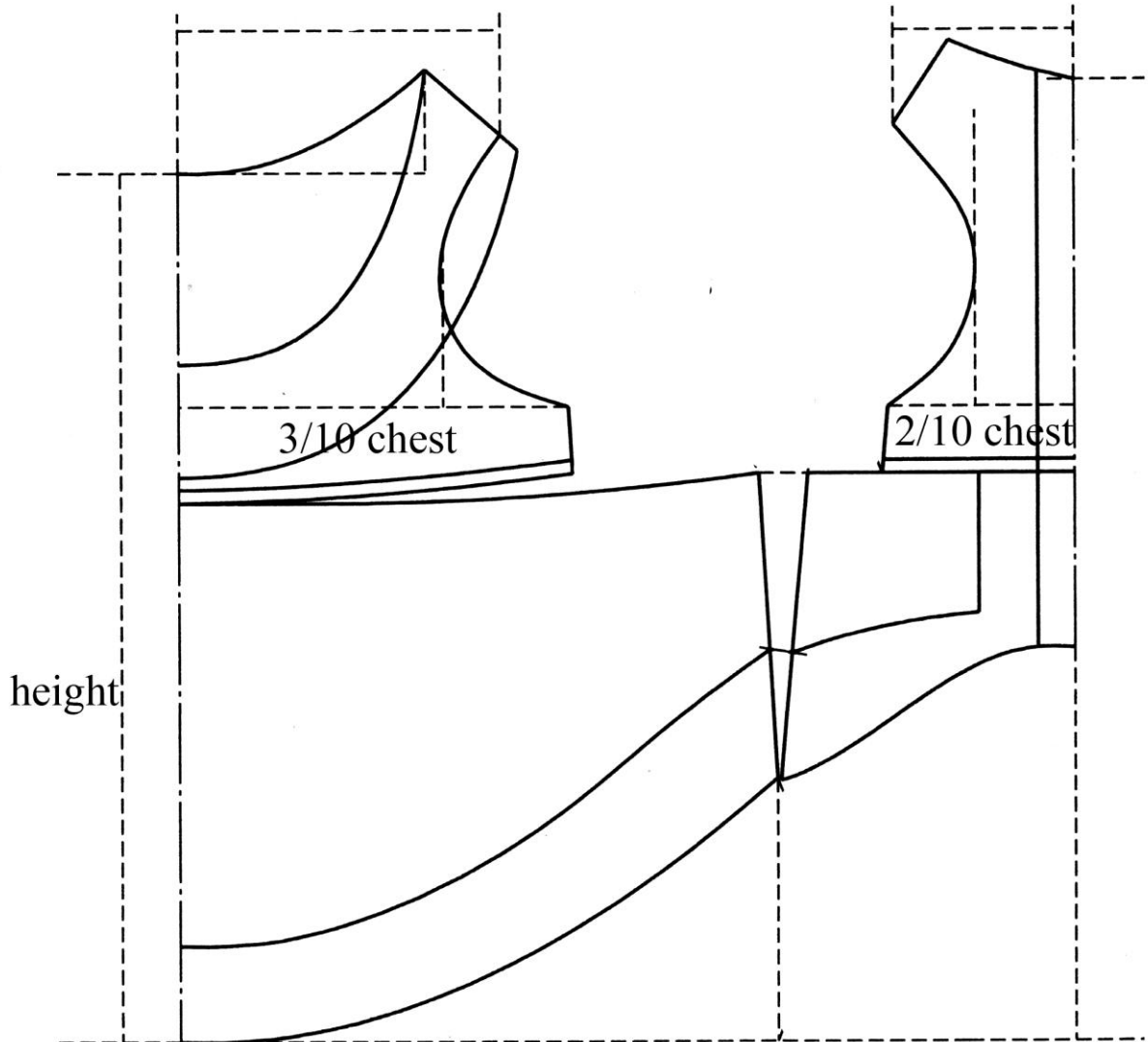
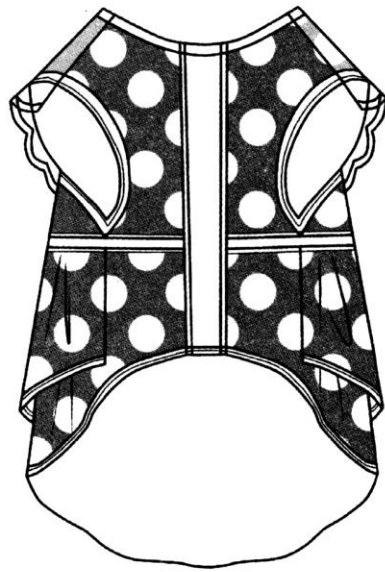
Redraw the pattern by cells.





*To make a pattern, measure the chest girth of your dog and divide it by 22.
On a large sheet of paper, draw a grid with a square side equal to the value obtained.
Redraw the pattern by cells.*

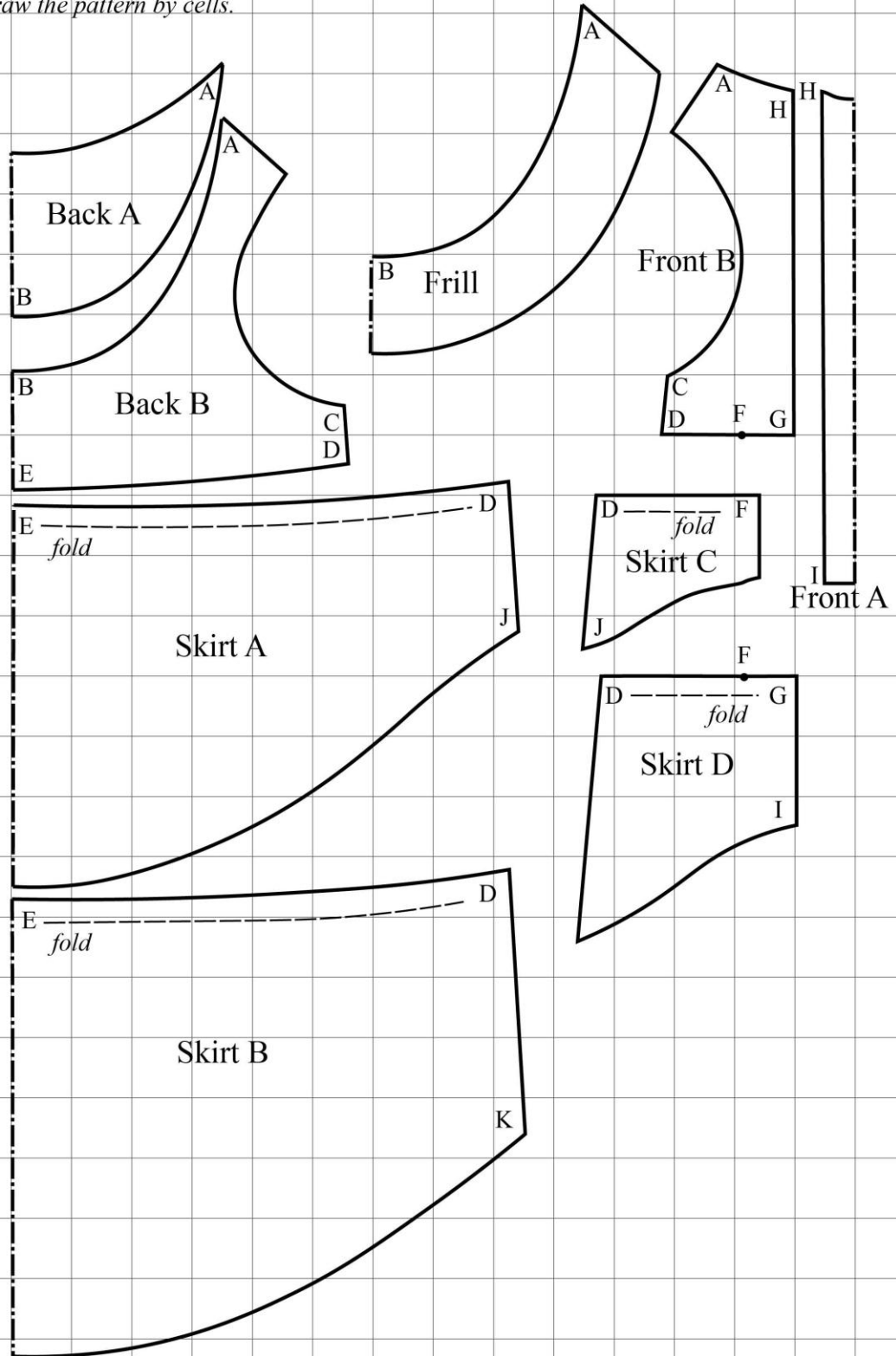


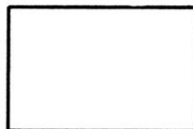
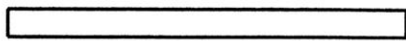
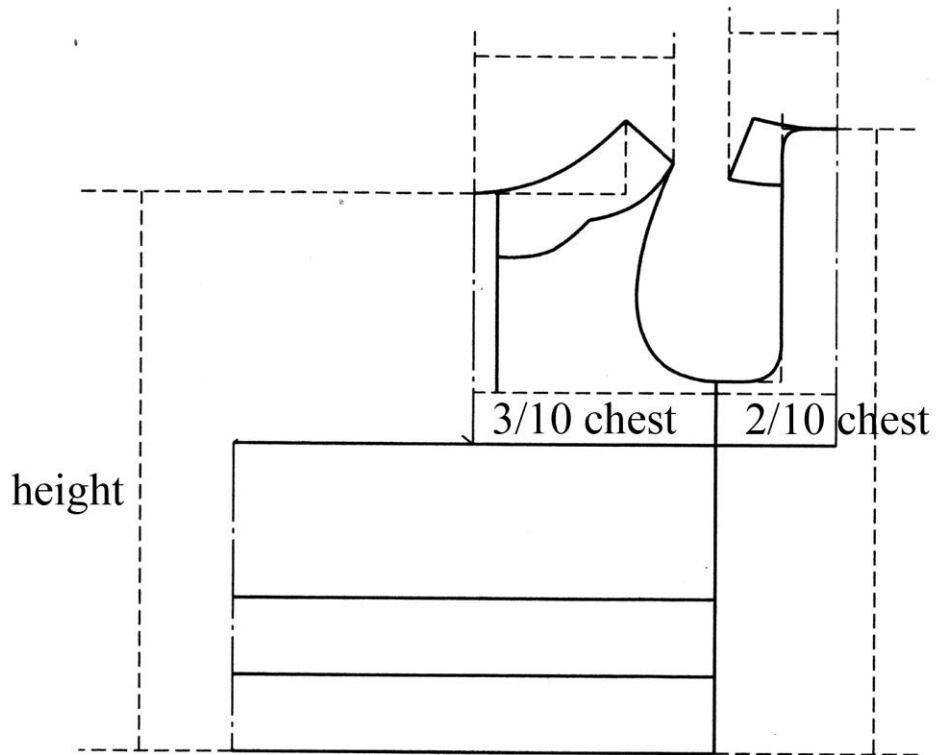
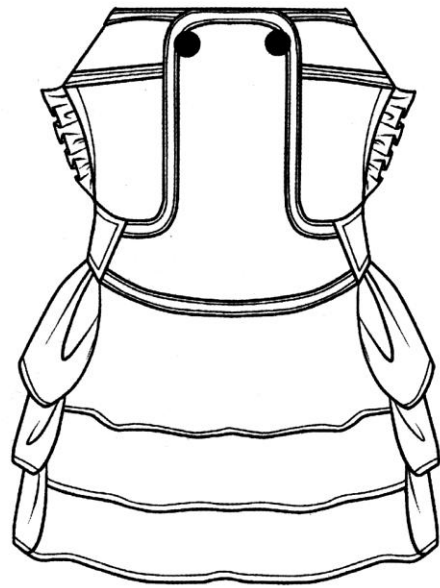
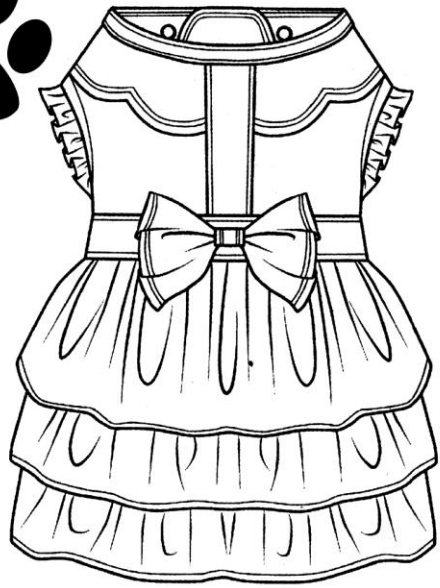


To make a pattern, measure the chest girth of your dog and divide it by 18.

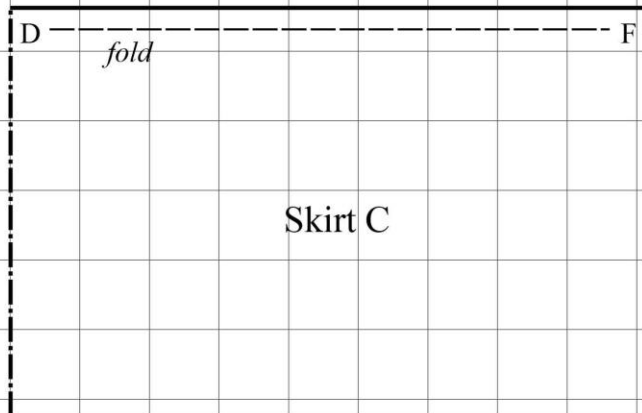
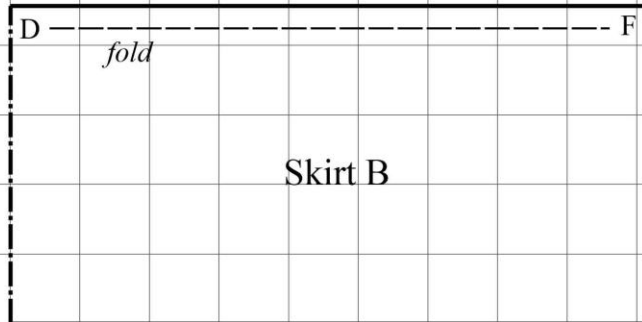
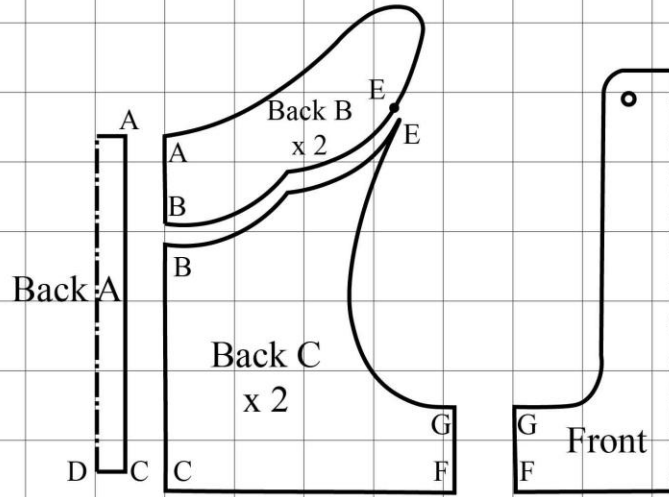
On a large sheet of paper, draw a grid with a square side equal to the value obtained.

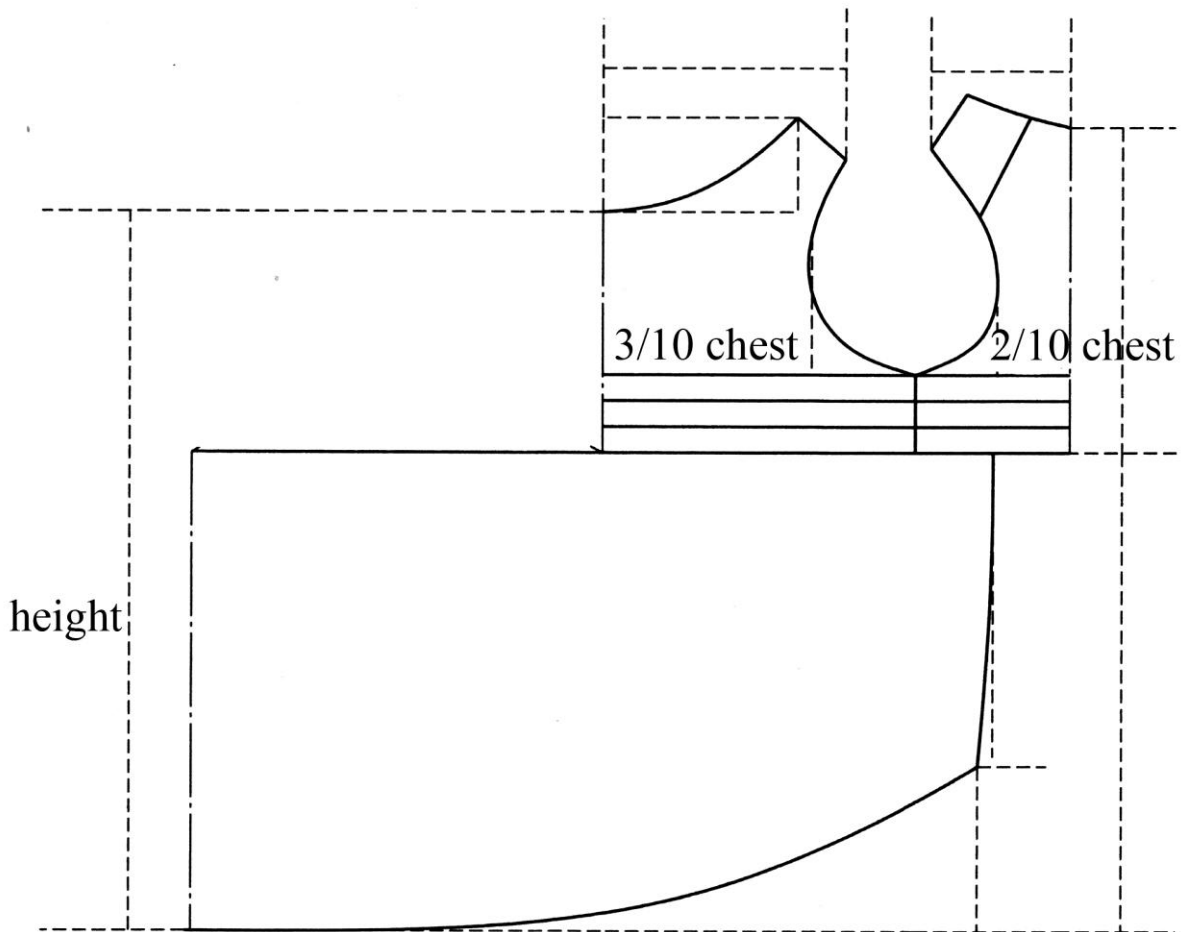
Redraw the pattern by cells.



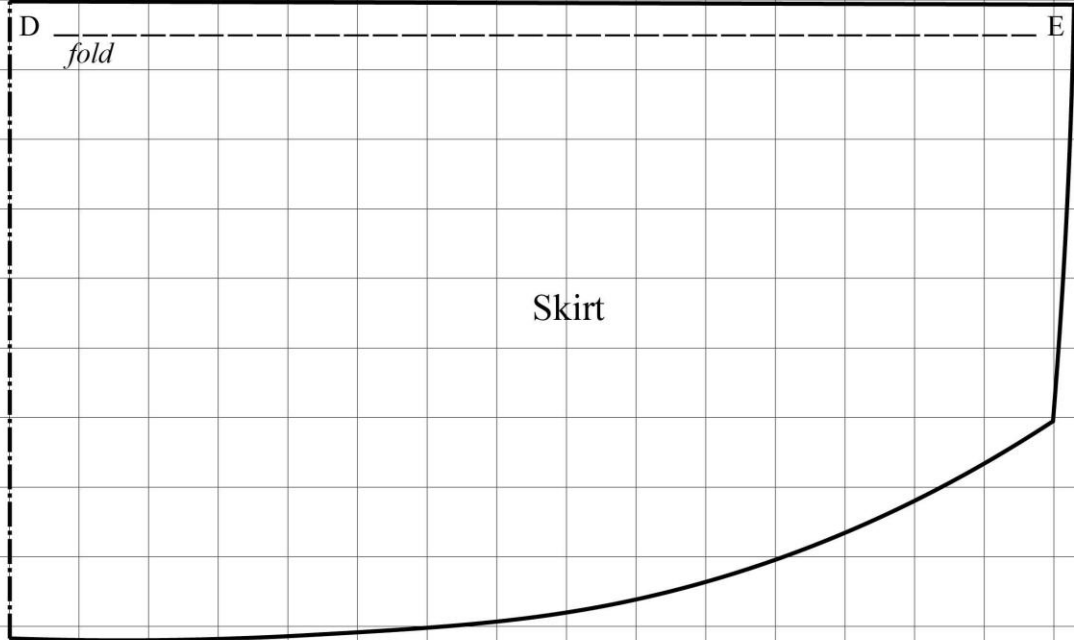
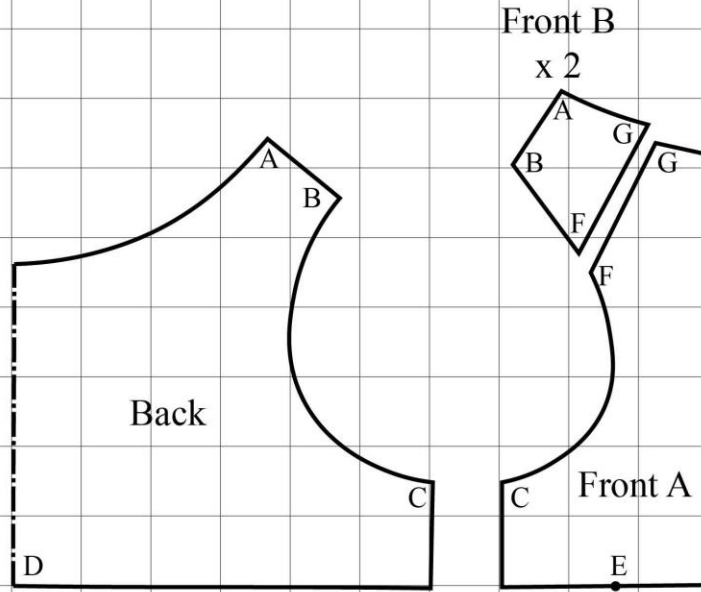


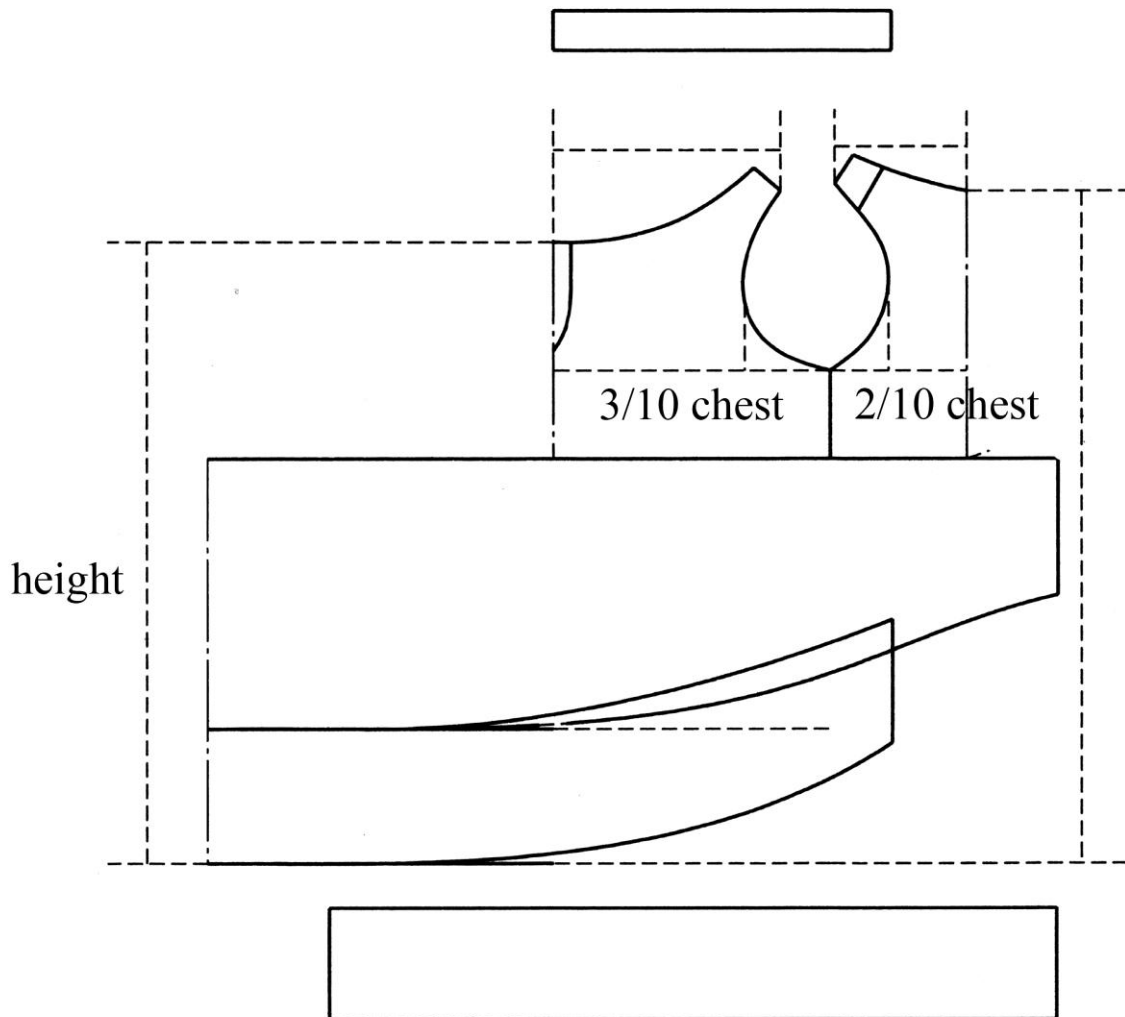
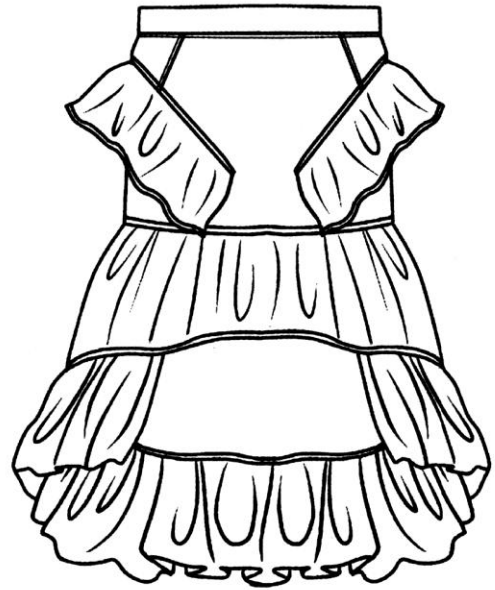
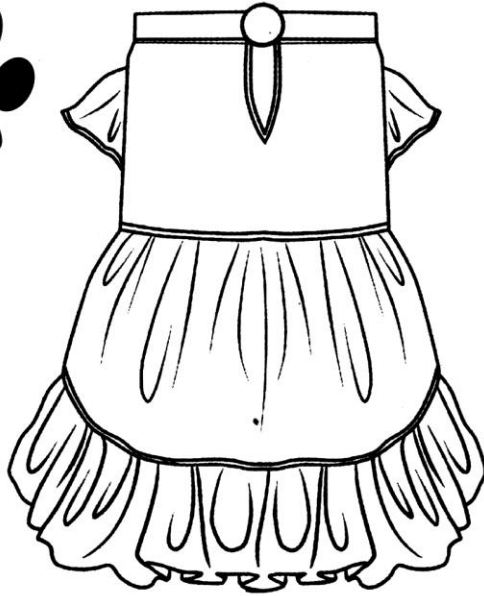
To make a pattern, measure the chest girth of your dog and divide it by 15.
On a large sheet of paper, draw a grid with a square side equal to the value obtained.
Redraw the pattern by cells.



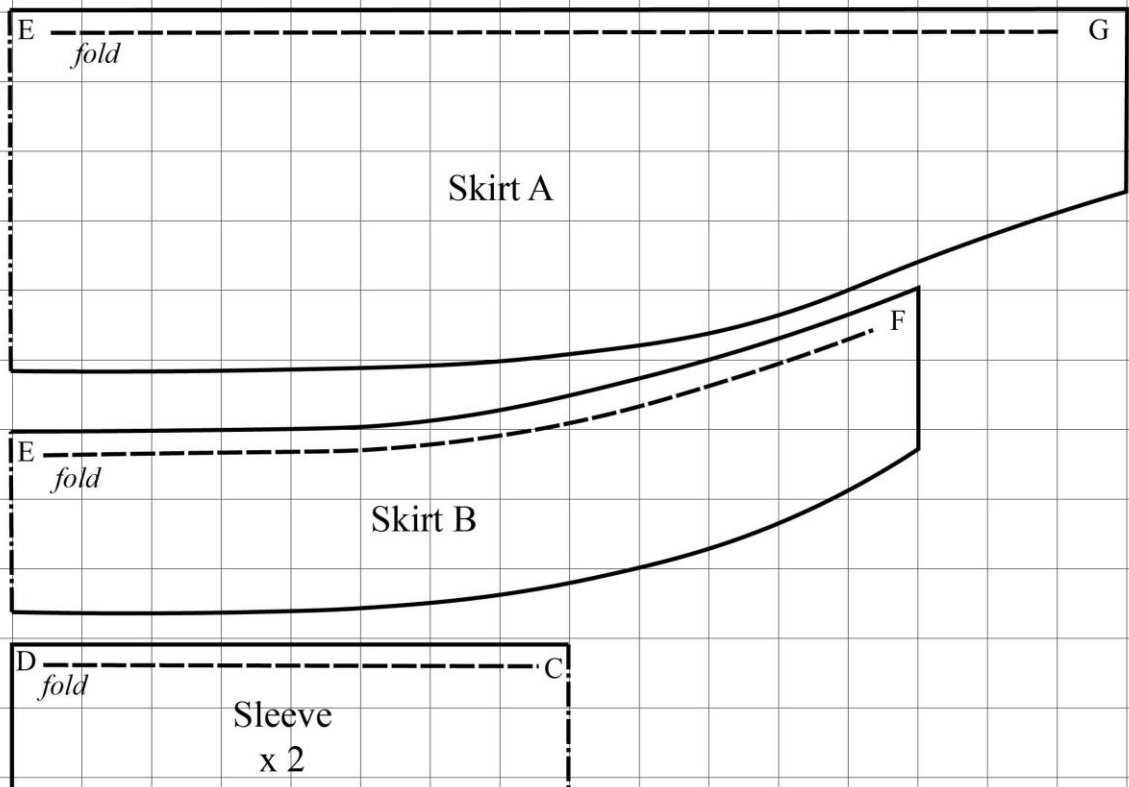
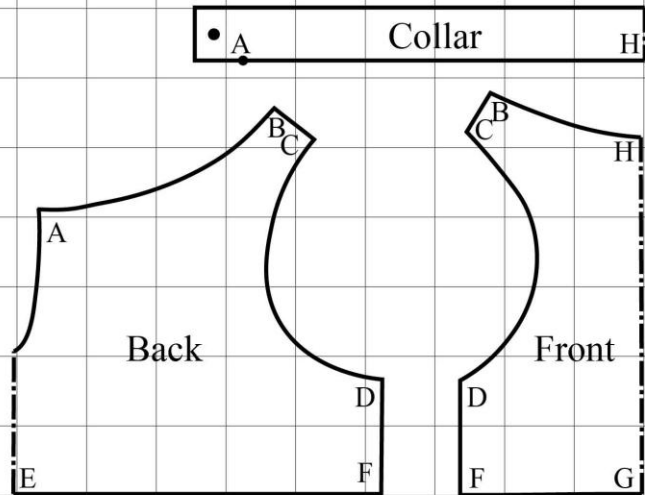


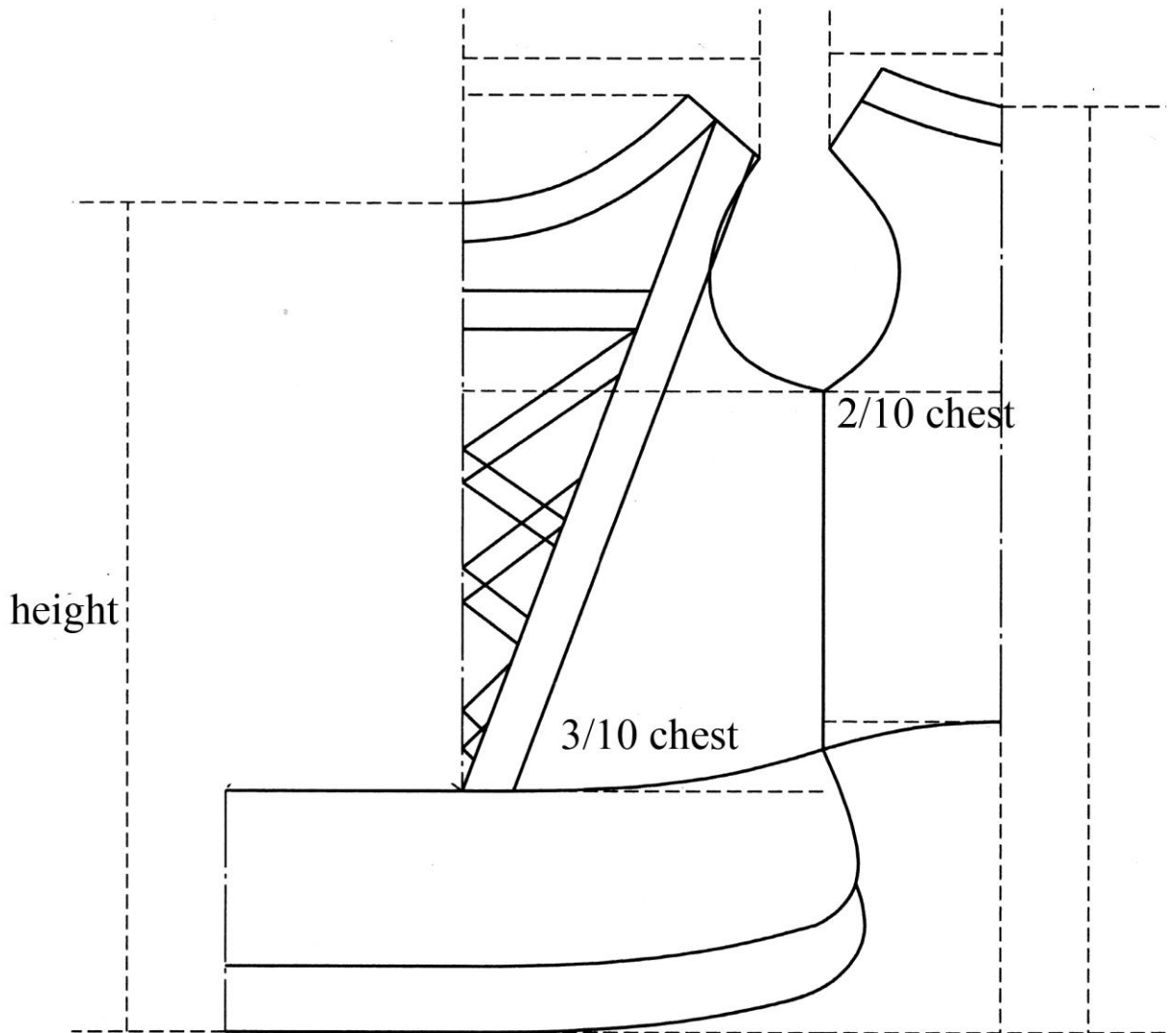
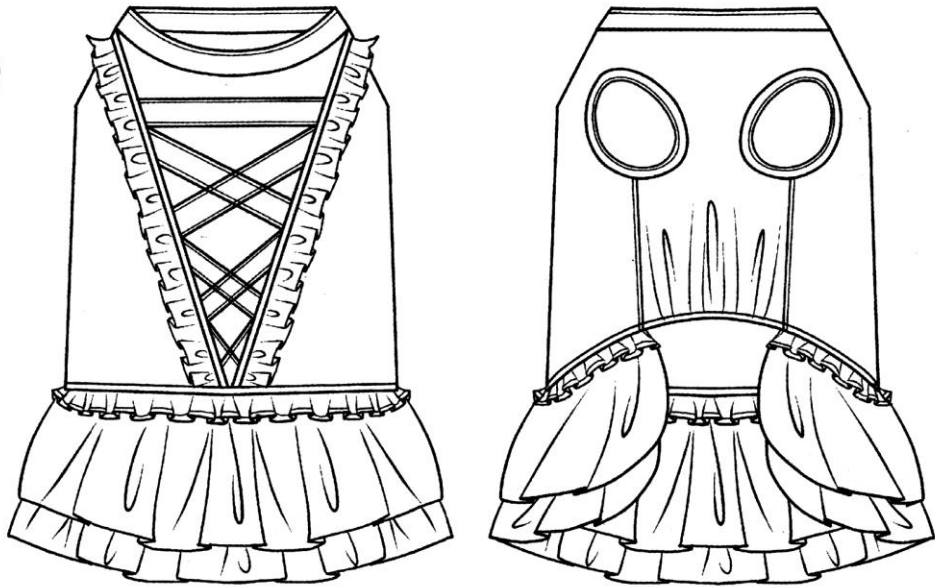
To make a pattern, measure the chest girth of your dog and divide it by 18.
On a large sheet of paper, draw a grid with a square side equal to the value obtained.
Redraw the pattern by cells.





To make a pattern, measure the chest girth of your dog and divide it by 17.
On a large sheet of paper, draw a grid with a square side equal to the value obtained.
Redraw the pattern by cells.

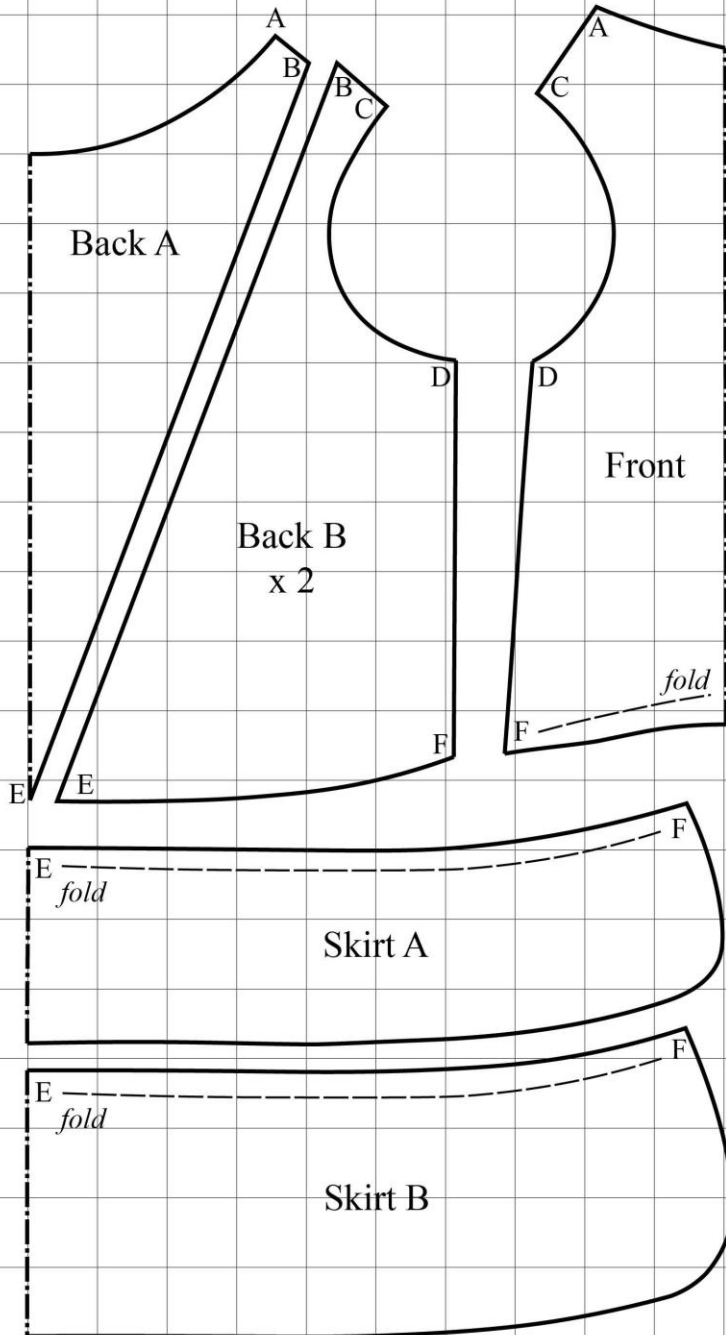




To make a pattern, measure the chest girth of your dog and divide it by 18.

On a large sheet of paper, draw a grid with a square side equal to the value obtained.

Redraw the pattern by cells.

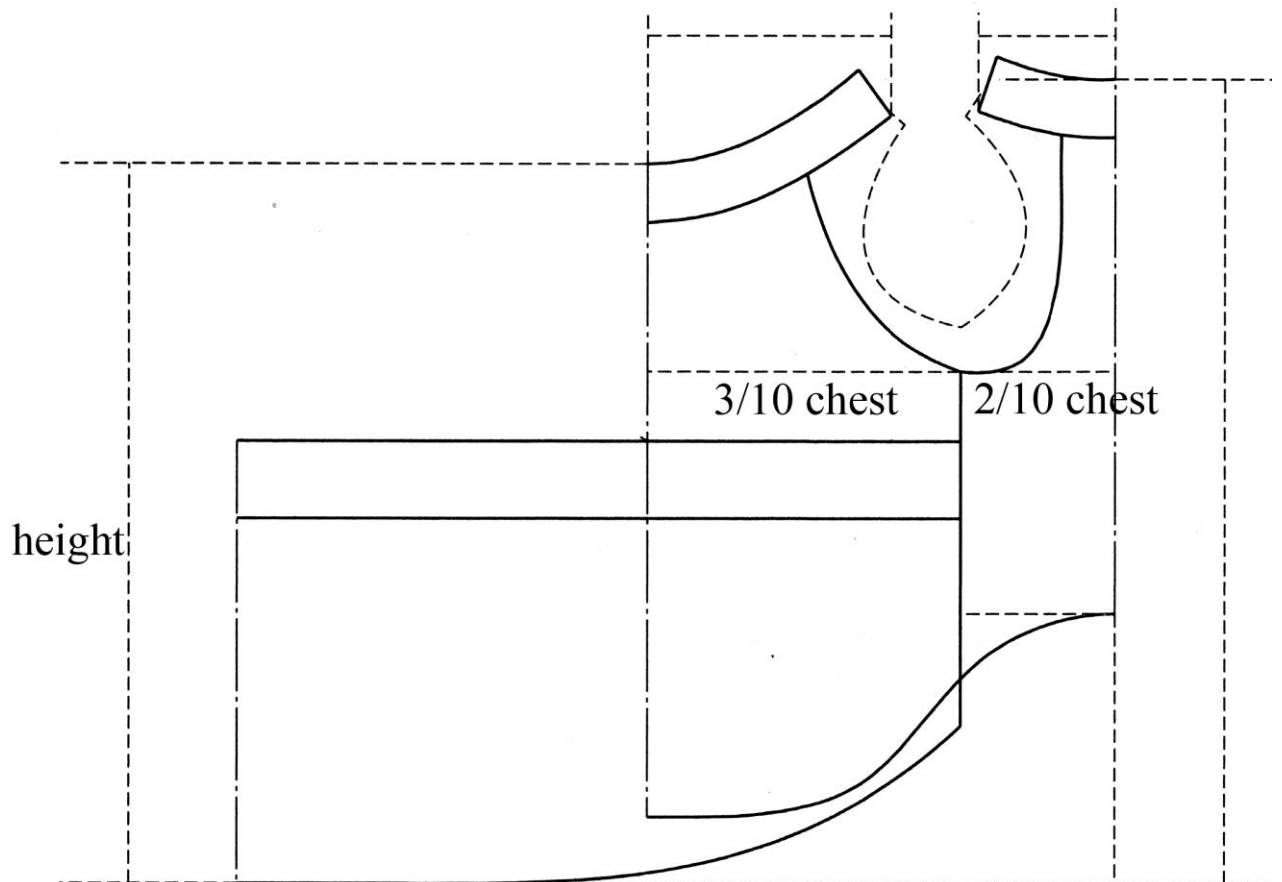
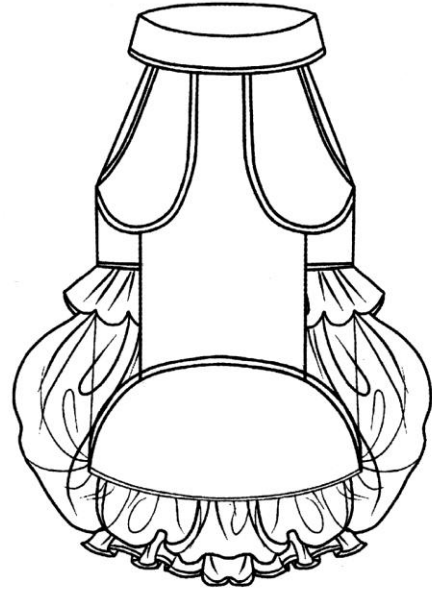
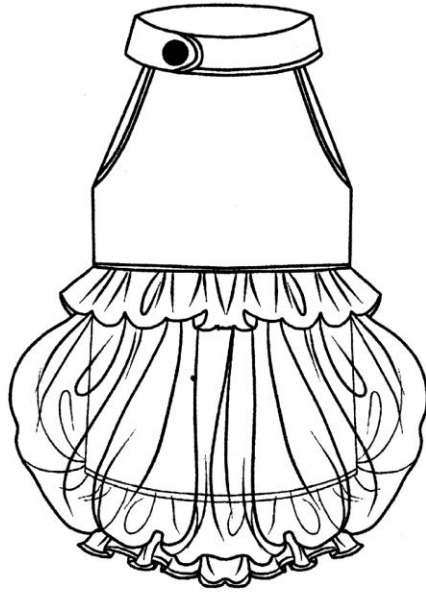


Frill A Frill B

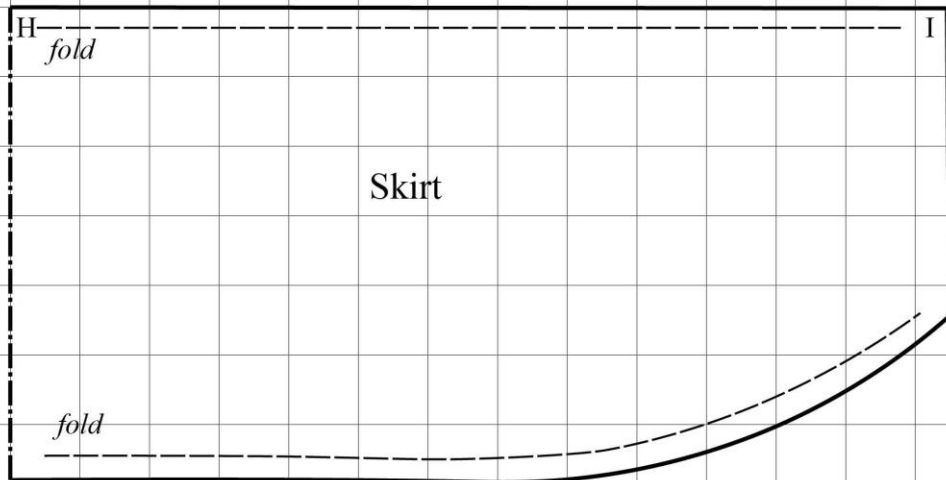
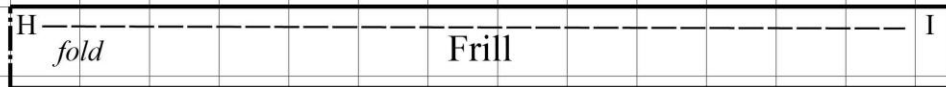
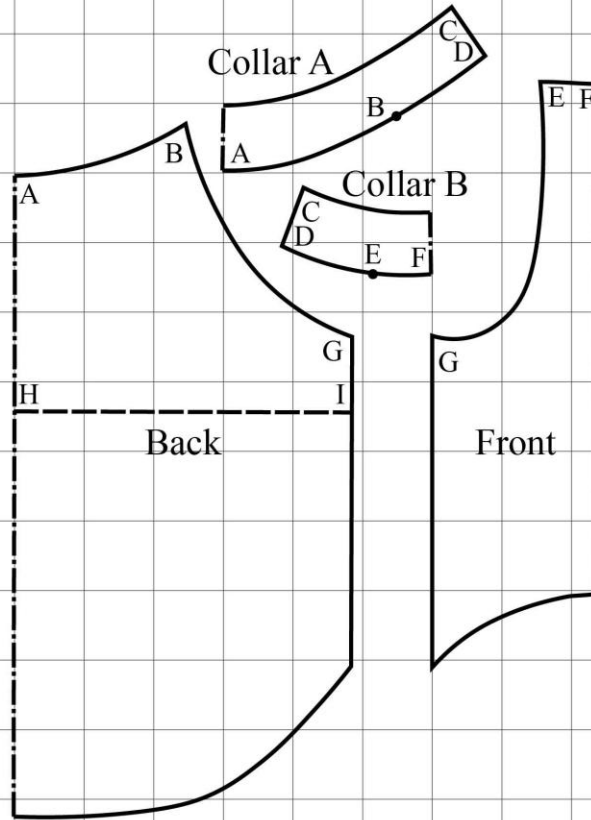
x 2

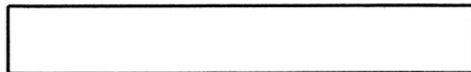
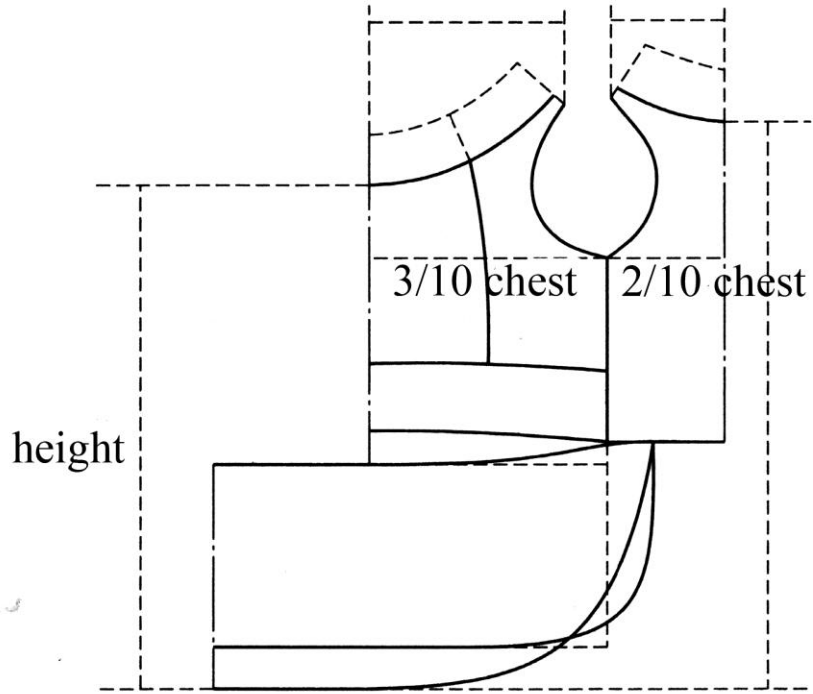
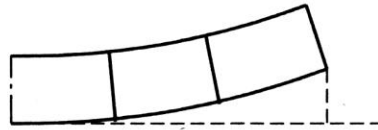
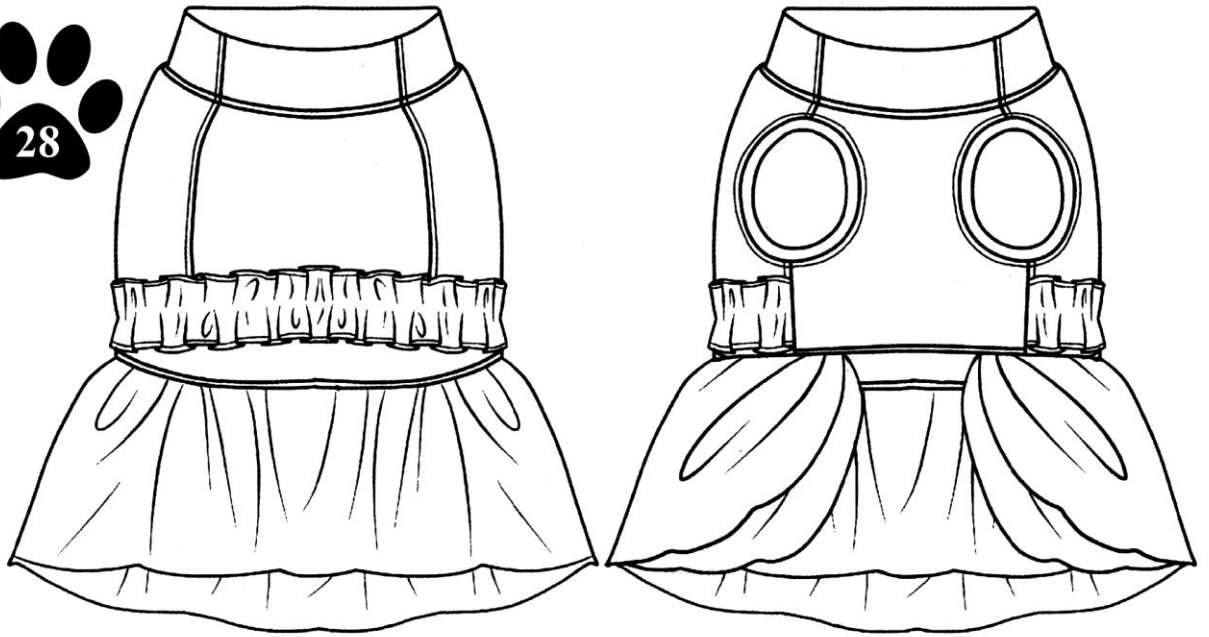
x 2





To make a pattern, measure the chest girth of your dog and divide it by 15.
On a large sheet of paper, draw a grid with a square side equal to the value obtained.
Redraw the pattern by cells.

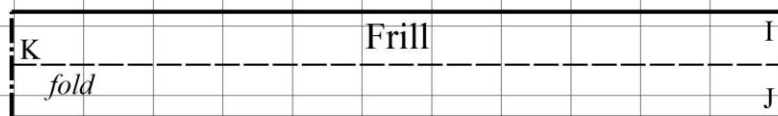
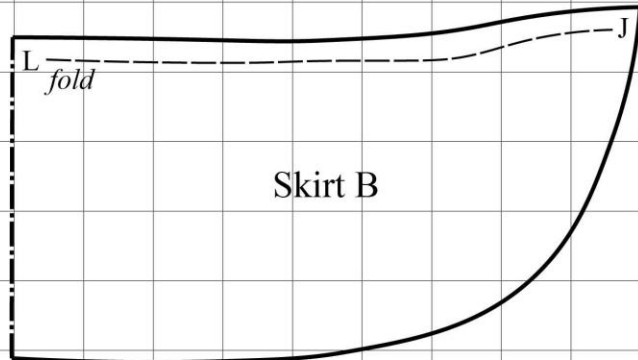
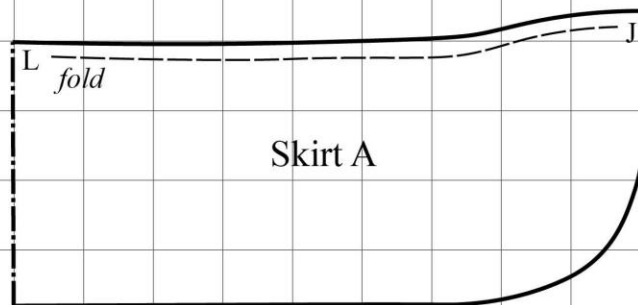
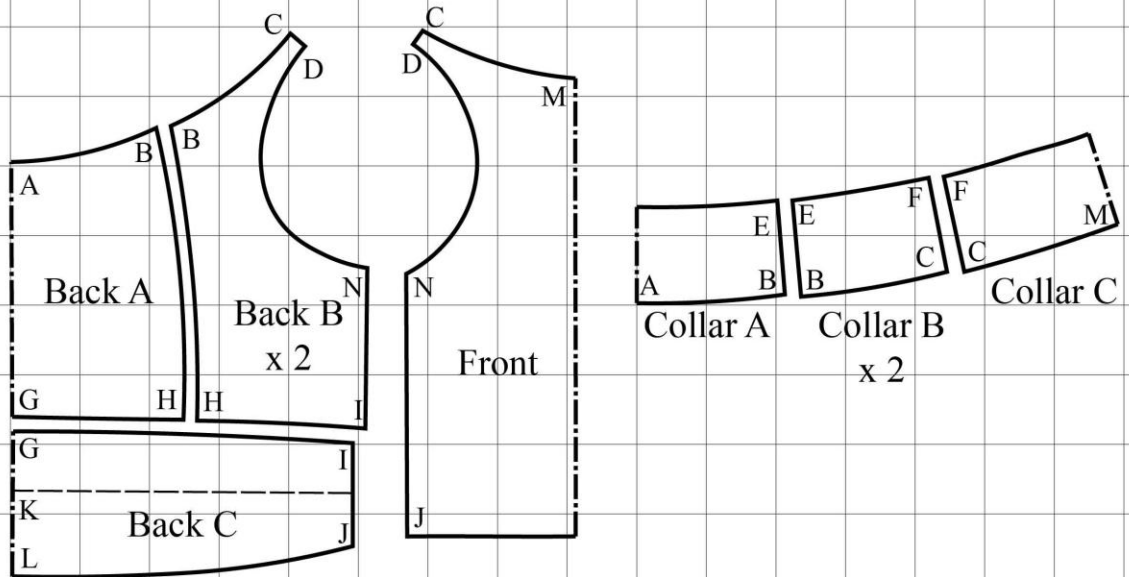


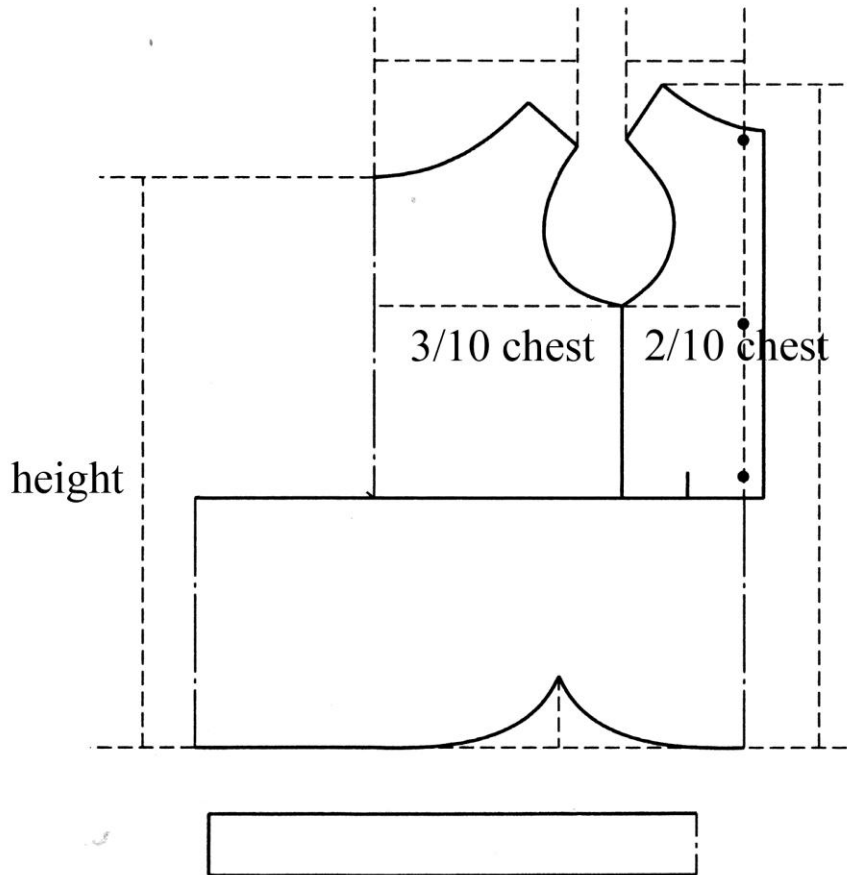
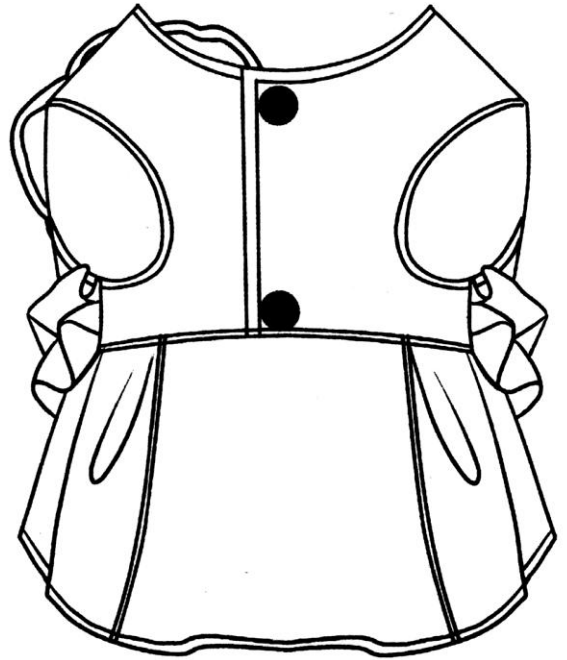


To make a pattern, measure the chest girth of your dog and divide it by 15.

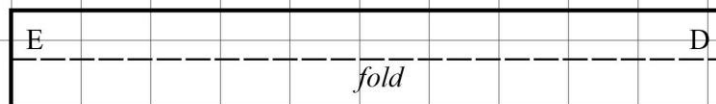
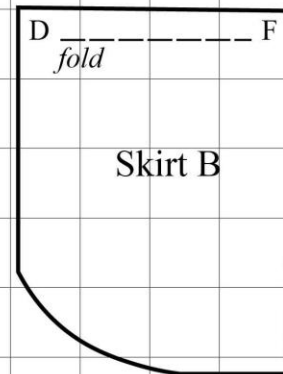
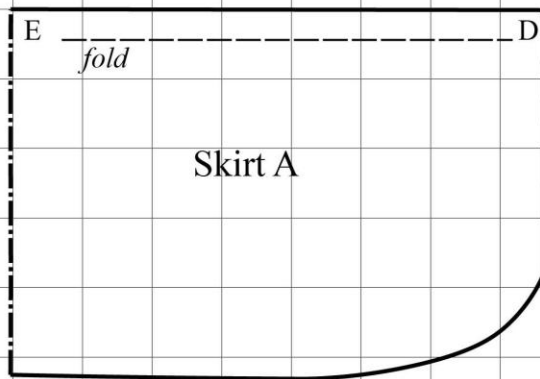
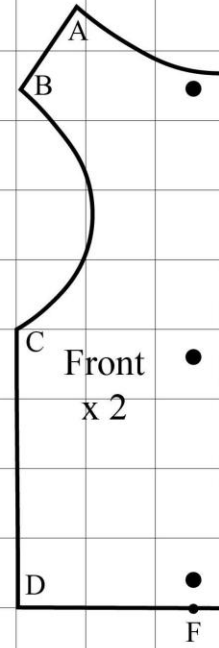
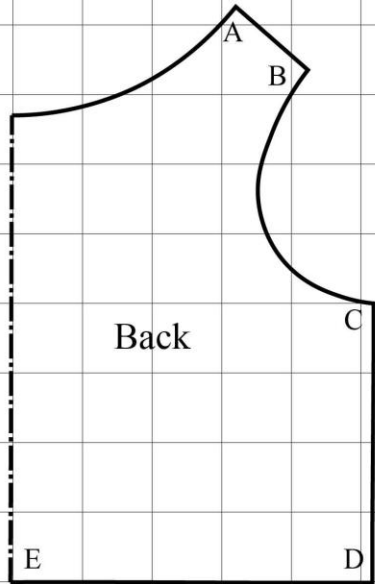
On a large sheet of paper, draw a grid with a square side equal to the value obtained.

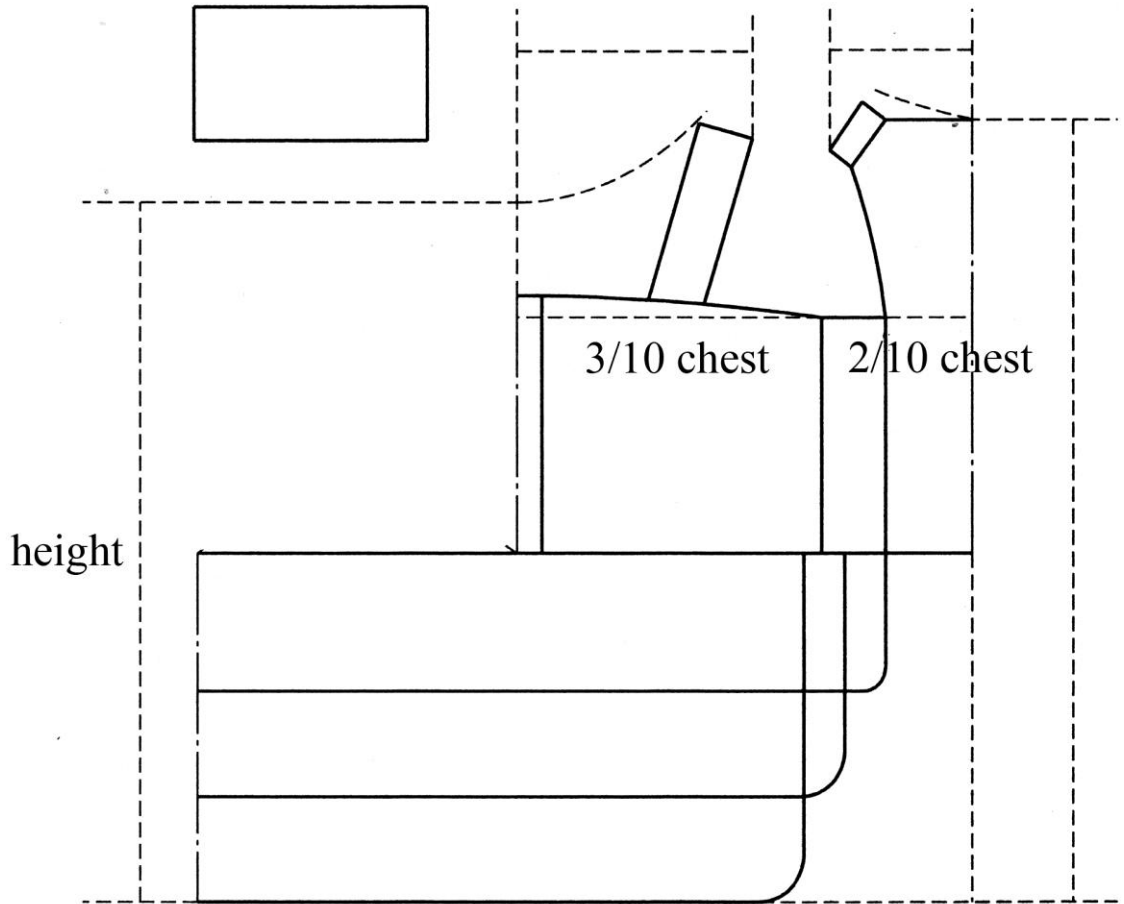
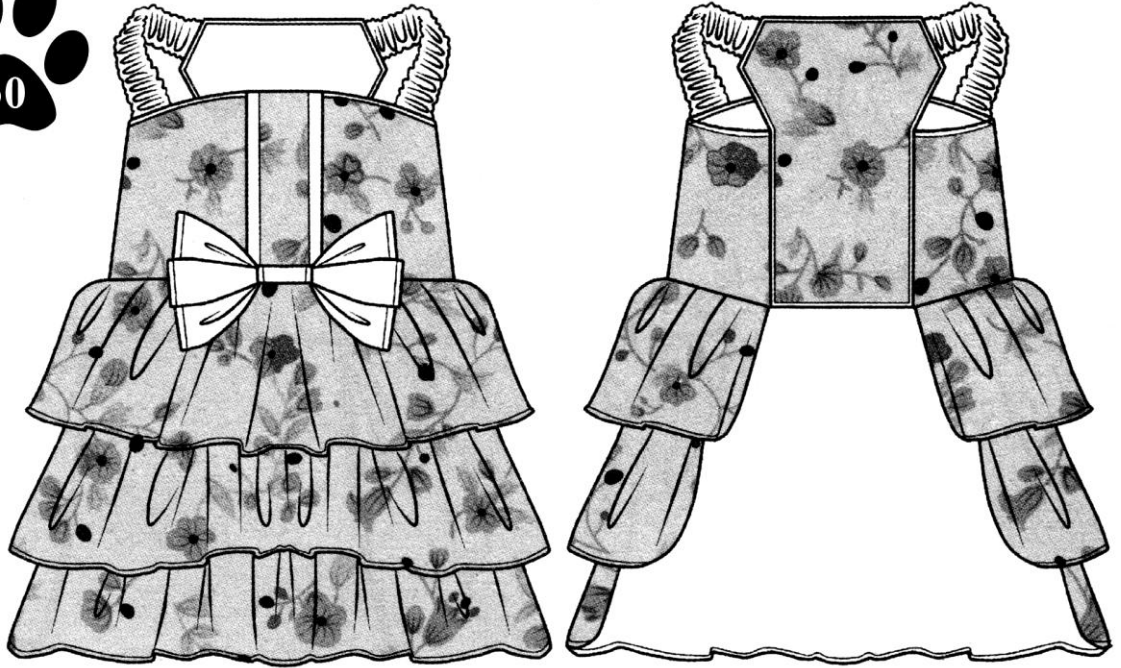
Redraw the pattern by cells.





To make a pattern, measure the chest girth of your dog and divide it by 17.
On a large sheet of paper, draw a grid with a square side equal to the value obtained.
Redraw the pattern by cells.

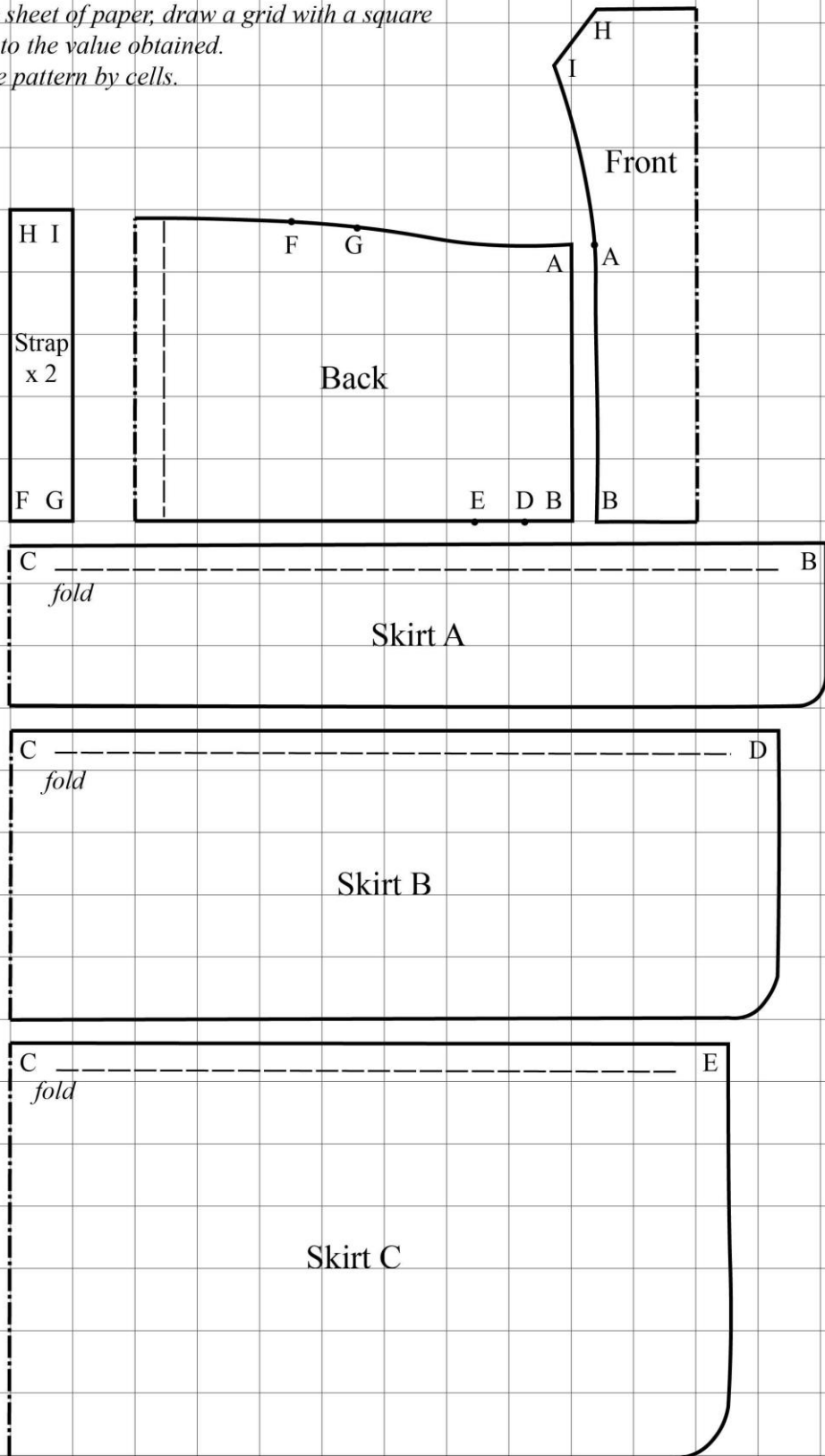


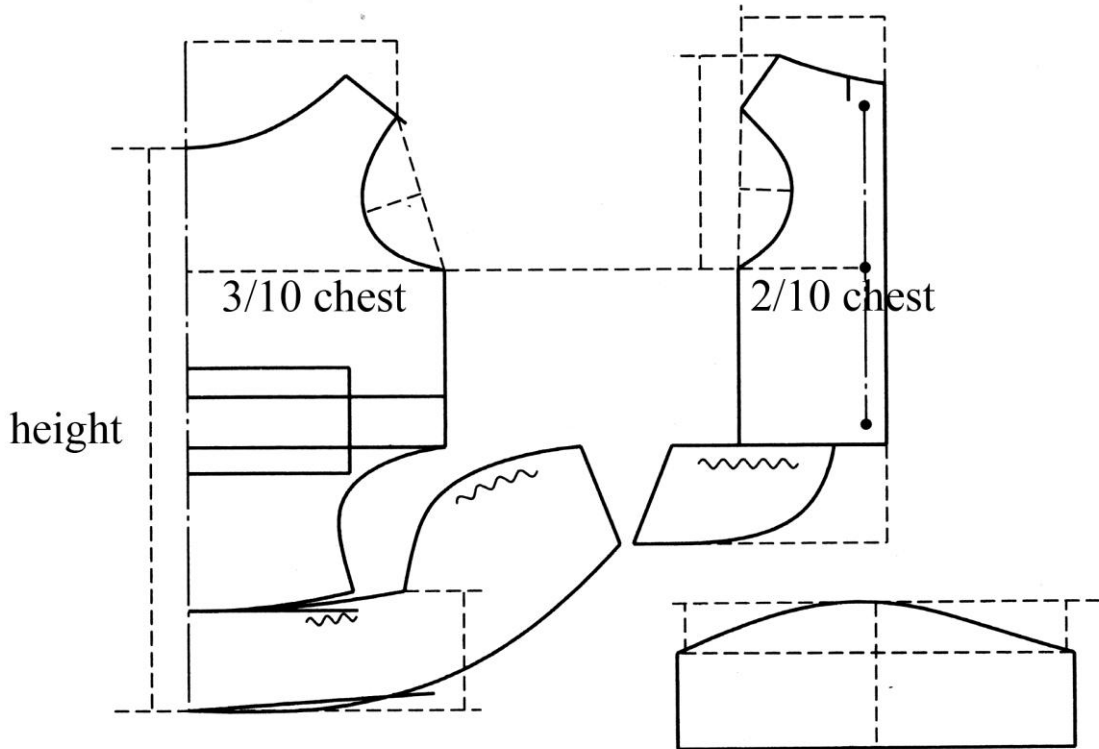
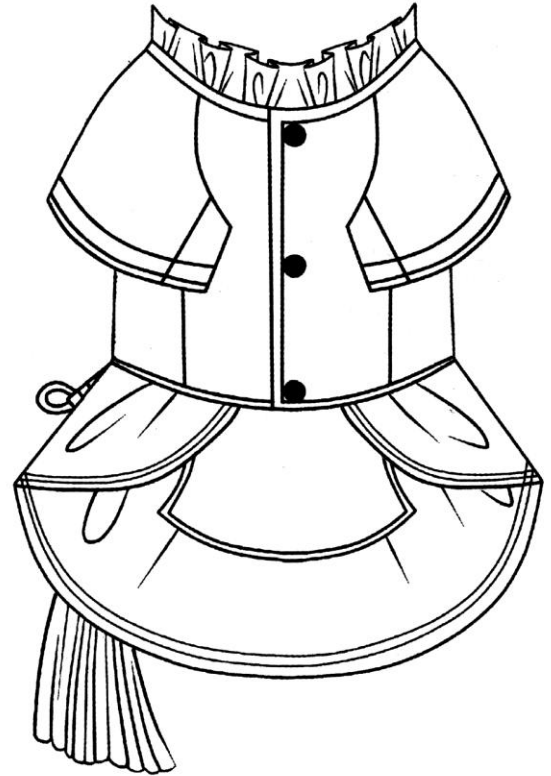
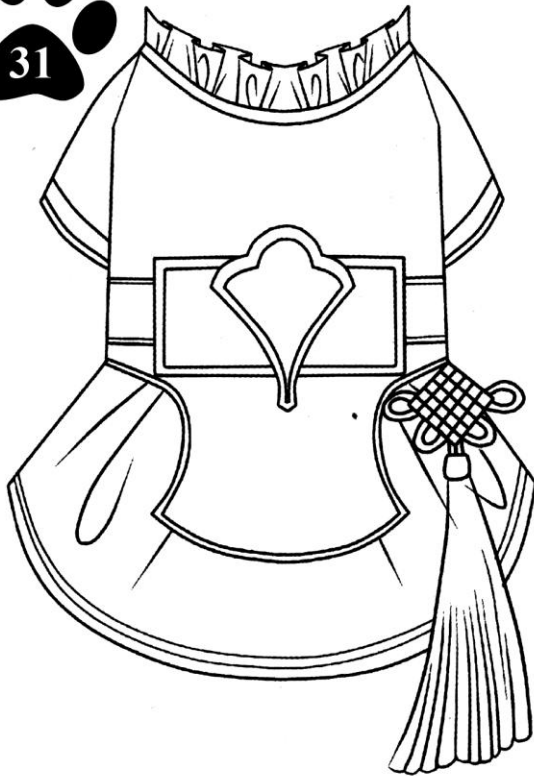


To make a pattern, measure the chest girth of your dog and divide it by 18.

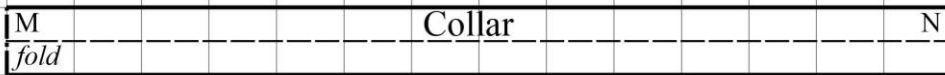
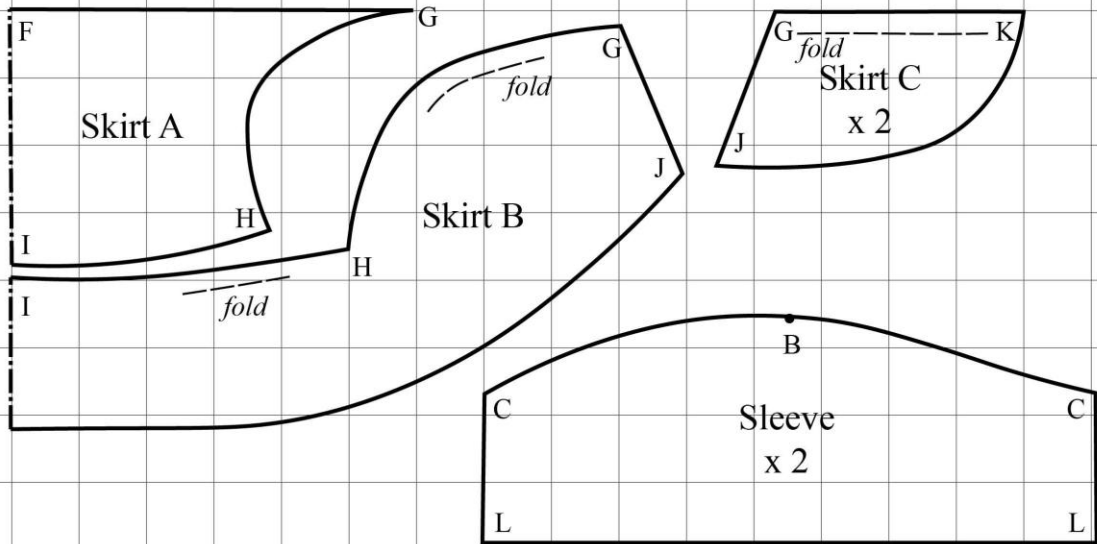
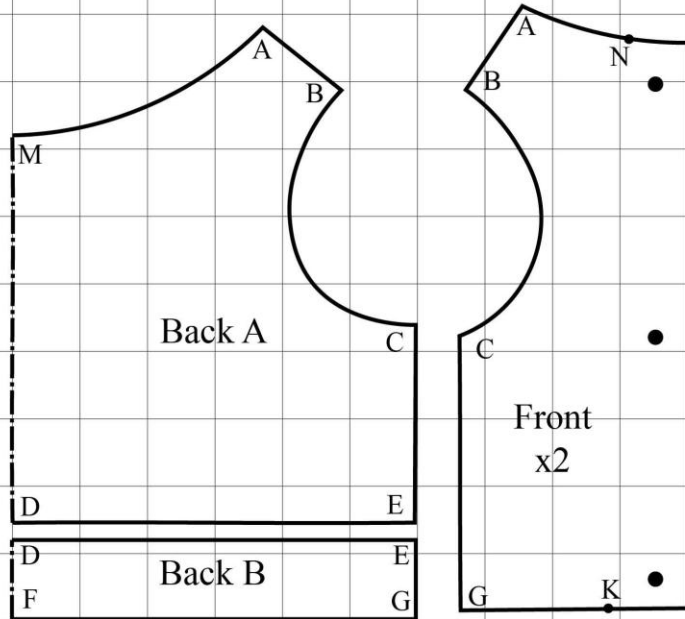
On a large sheet of paper, draw a grid with a square side equal to the value obtained.

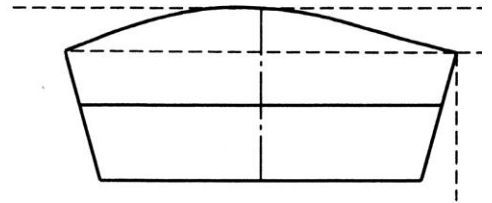
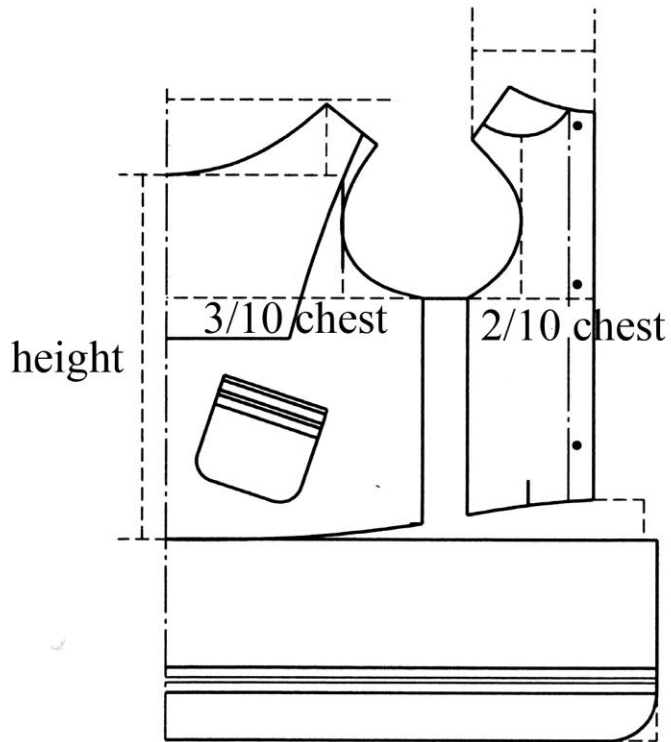
Redraw the pattern by cells.



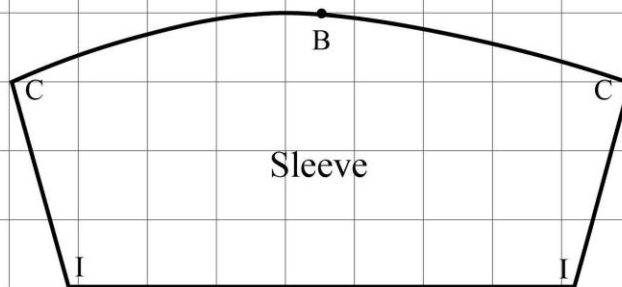
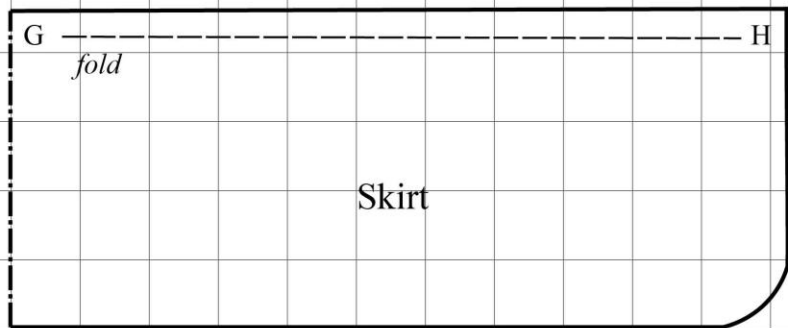
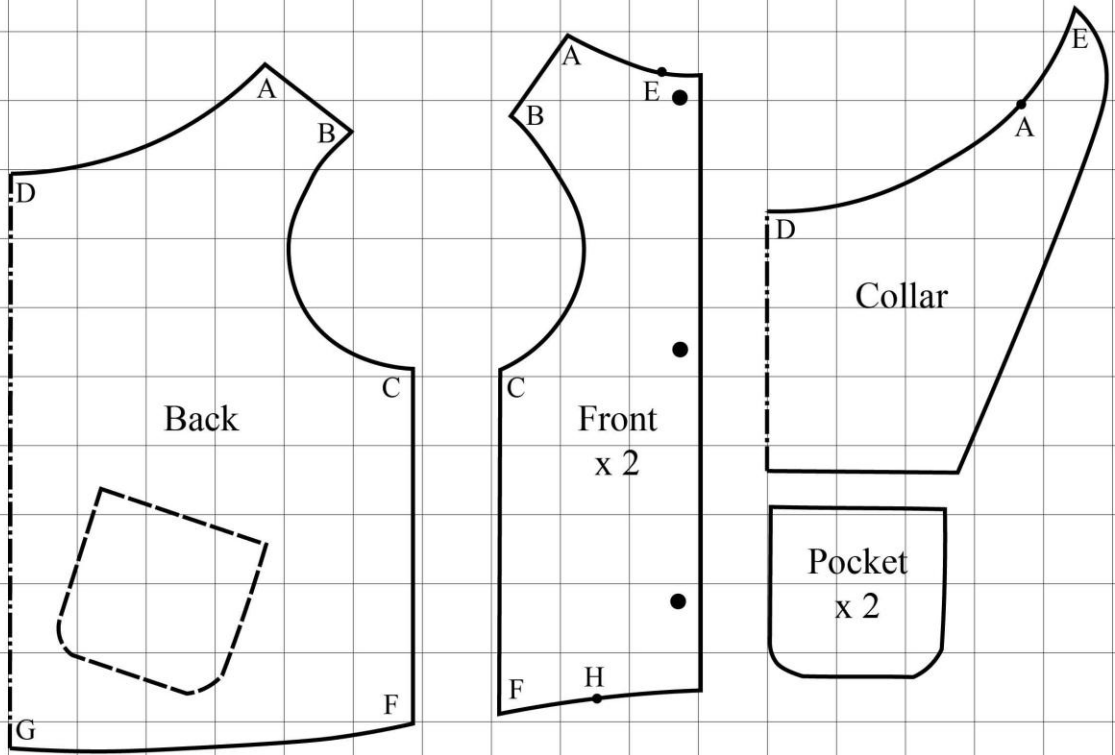


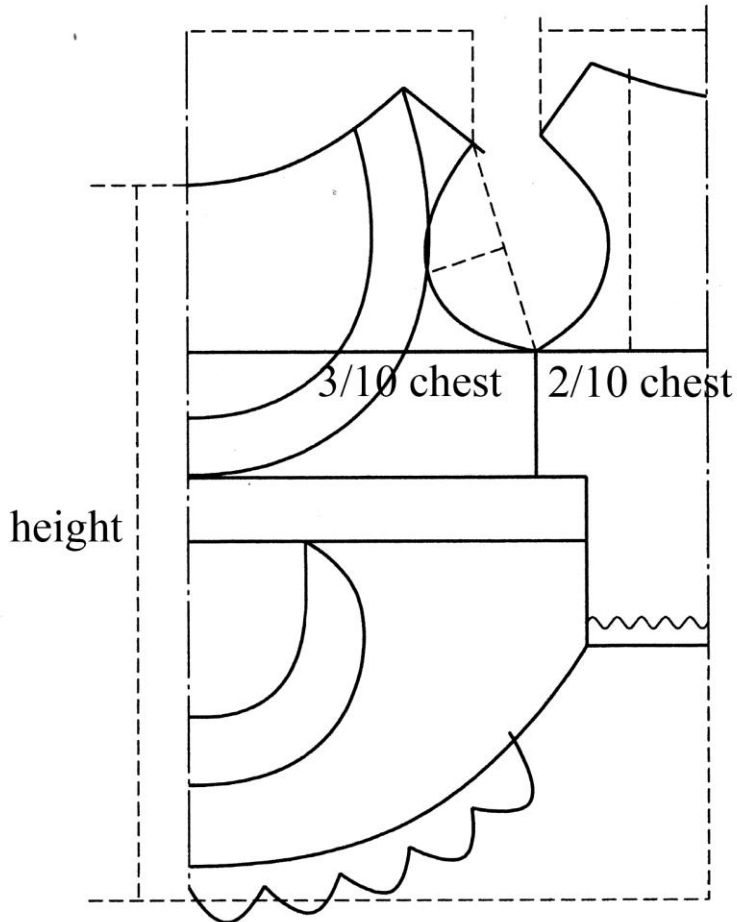
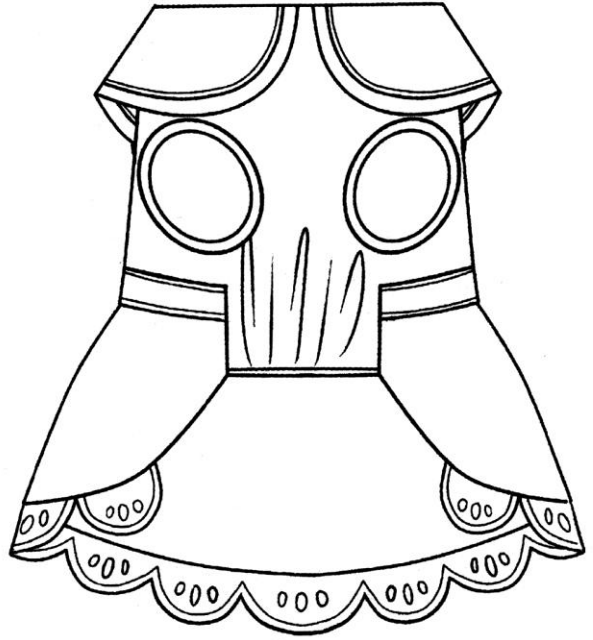
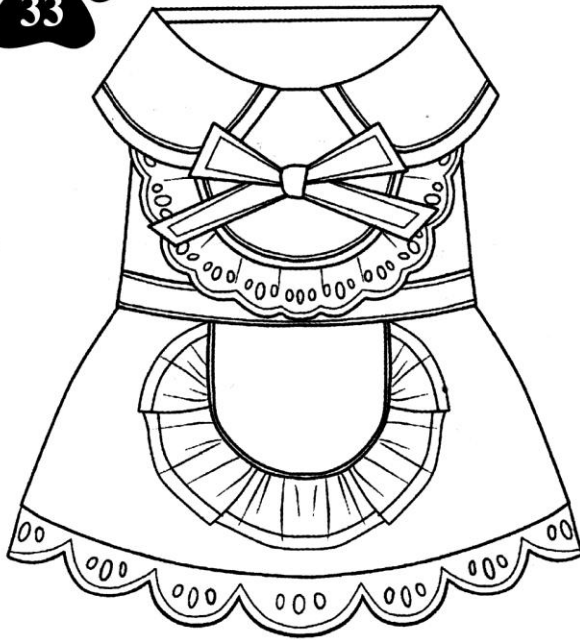
To make a pattern, measure the chest girth of your dog and divide it by 20.
 On a large sheet of paper, draw a grid with a square side equal to the value obtained.
 Redraw the pattern by cells.



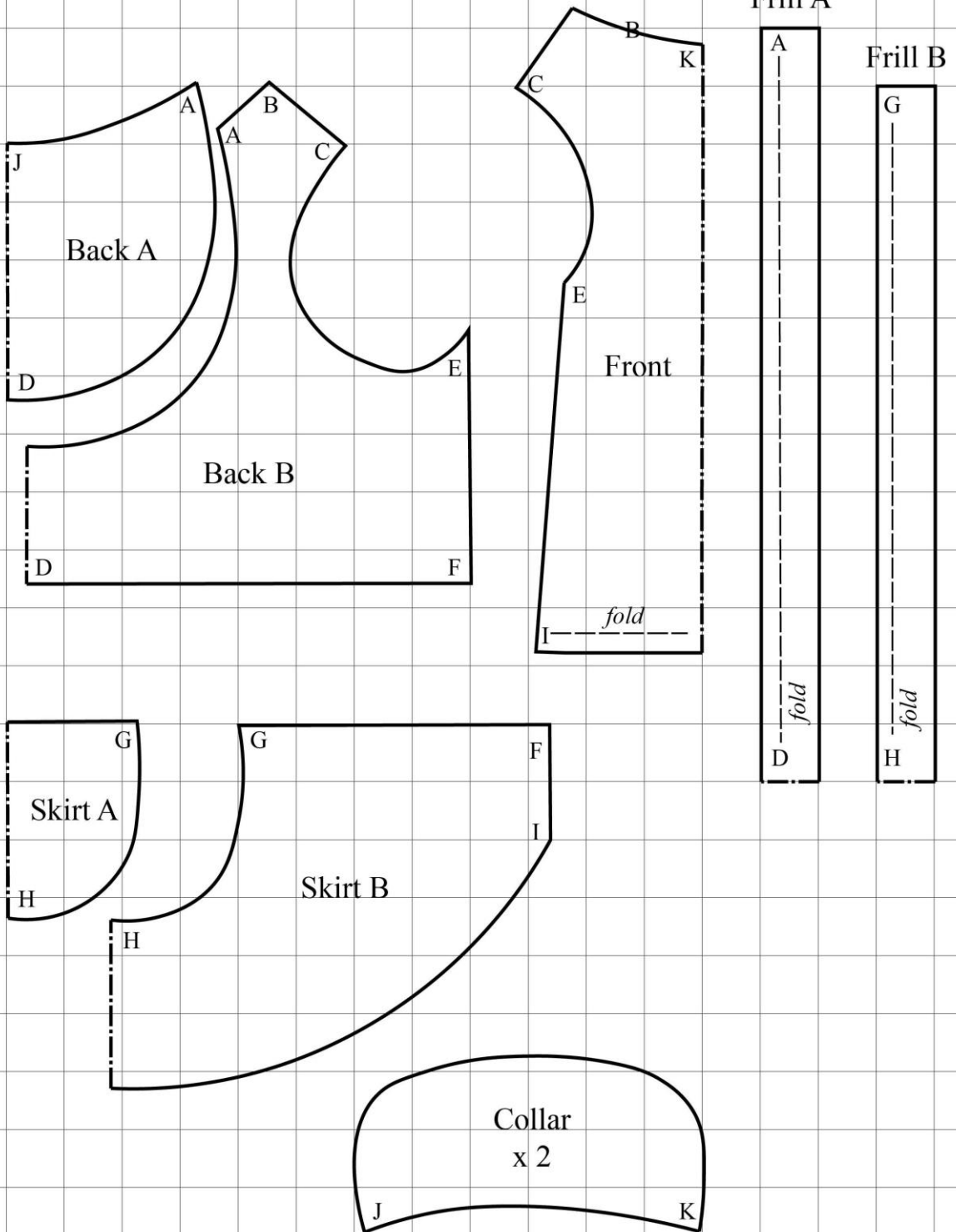


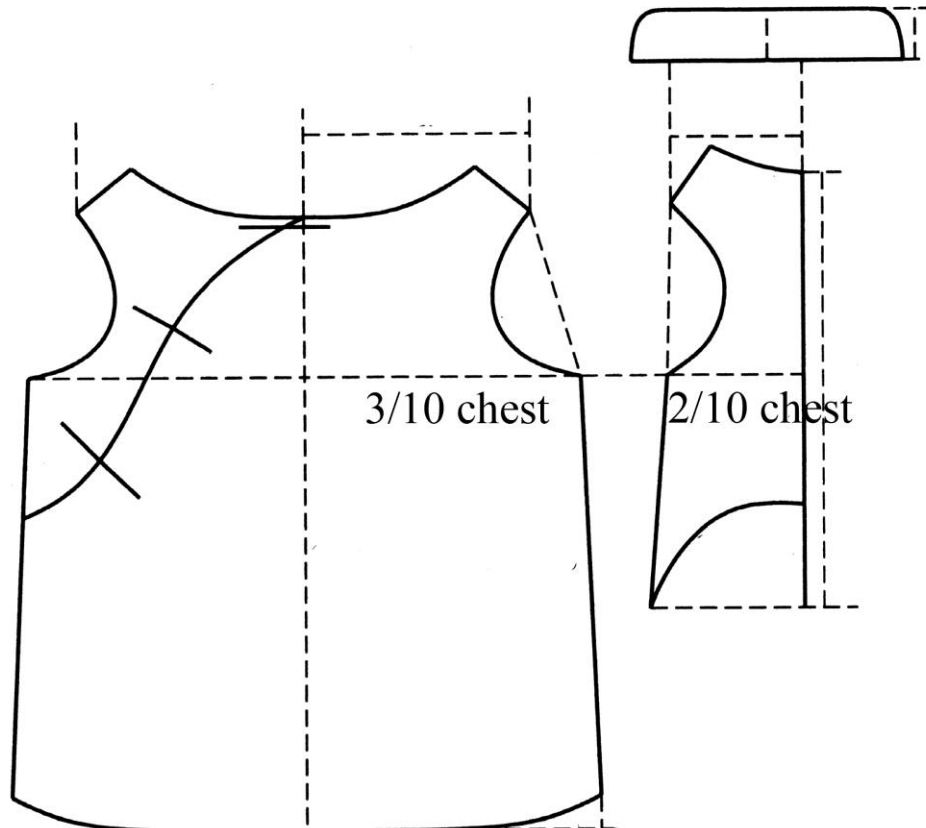
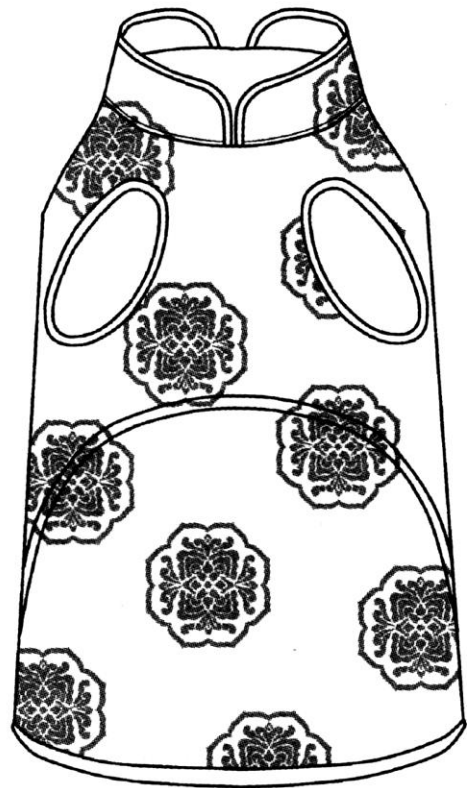
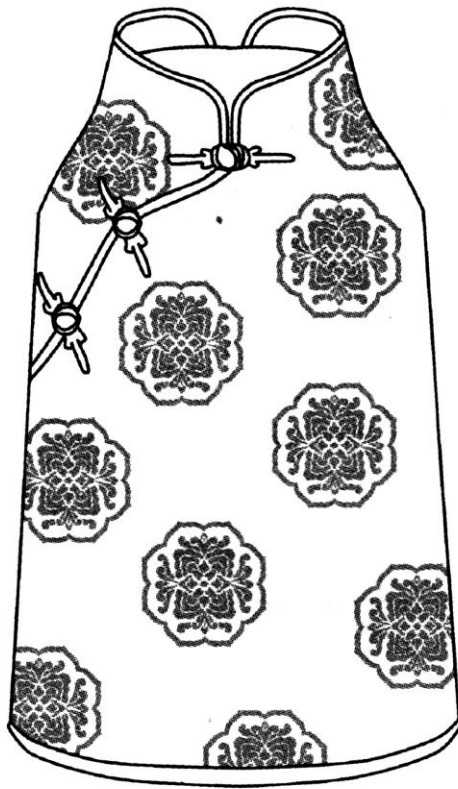
To make a pattern, measure the chest girth of your dog's and divide it by 18.
On a large sheet of paper, draw a grid with a square side equal to the value obtained.
Redraw the pattern by cells.



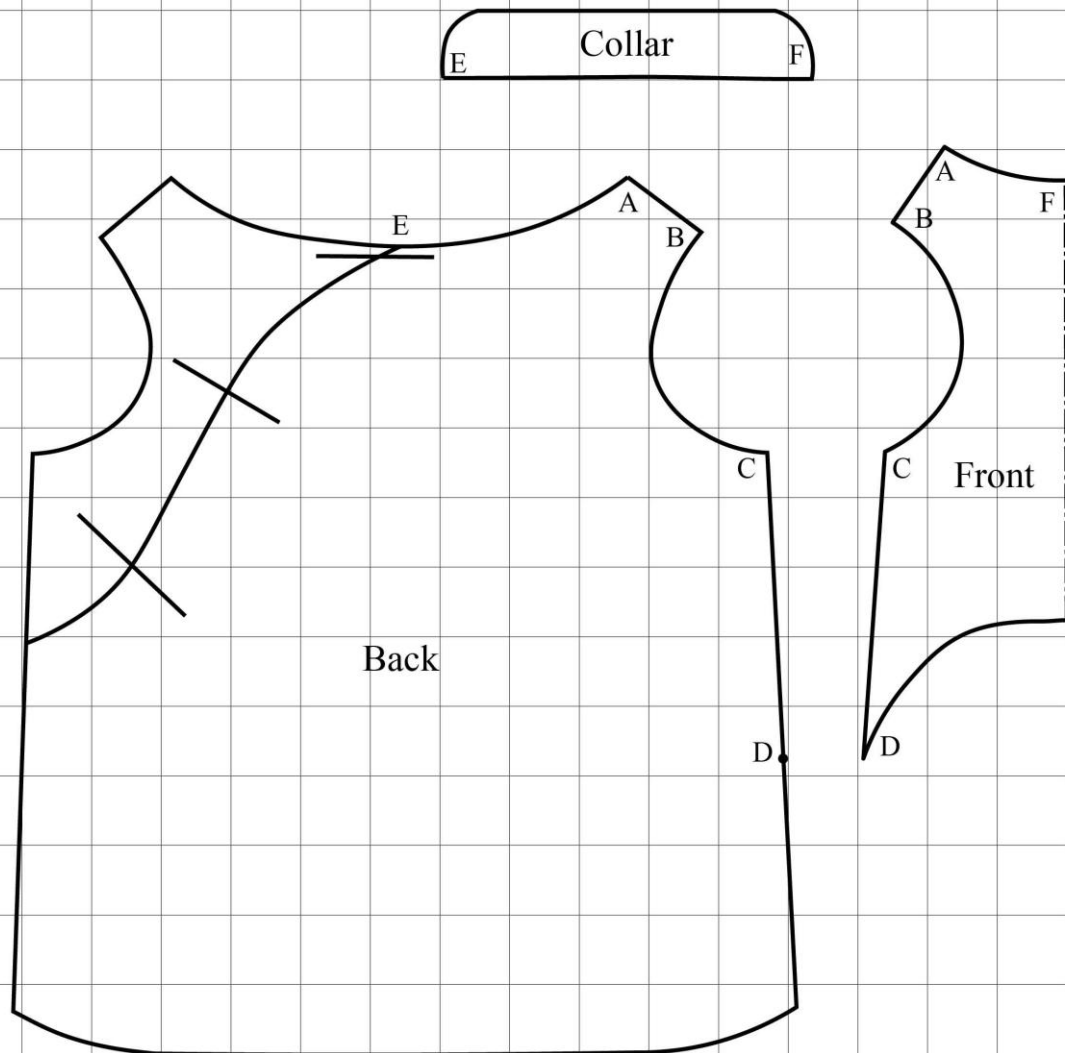


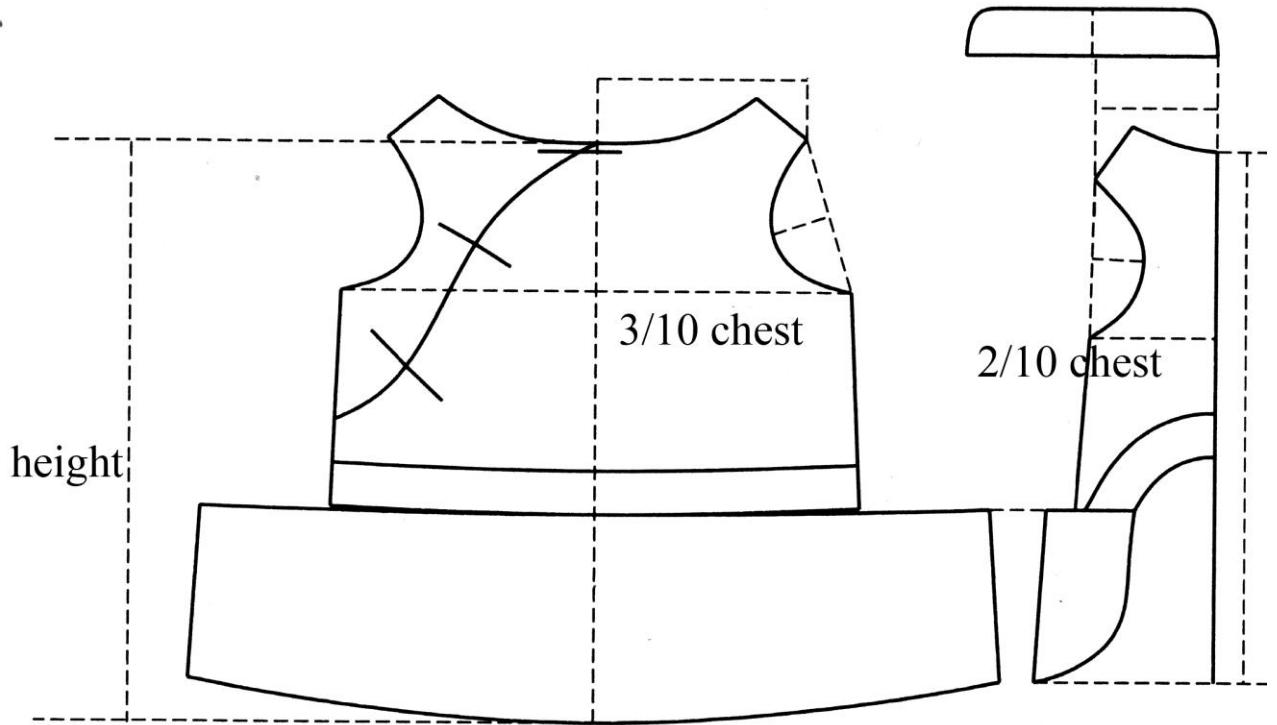
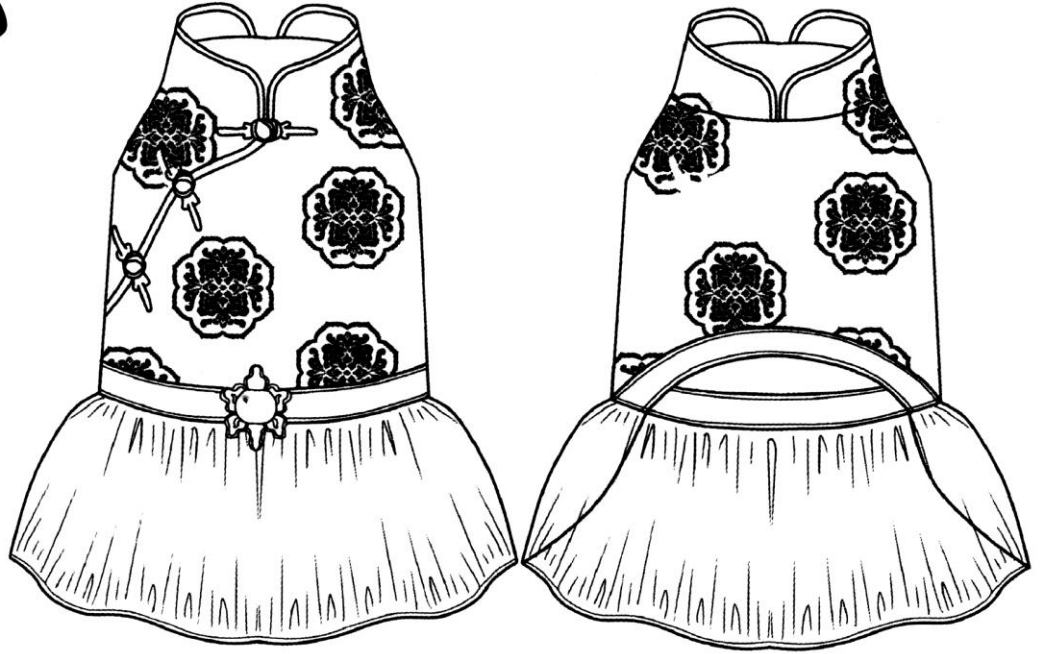
To make a pattern, measure the chest girth of your dog's and divide it by 22.
On a large sheet of paper, draw a grid with a square side equal to the value obtained.
Redraw the pattern by cells.



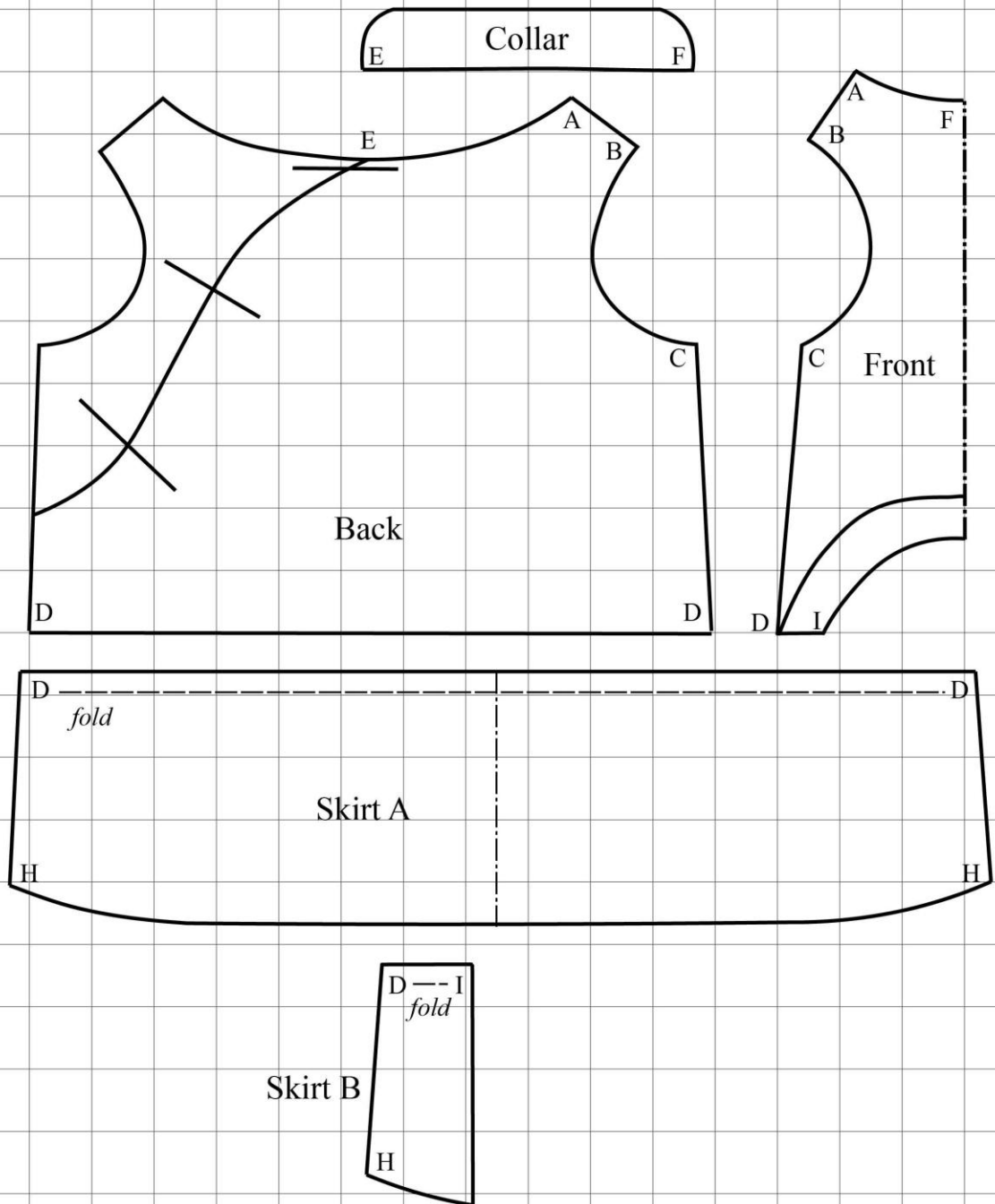


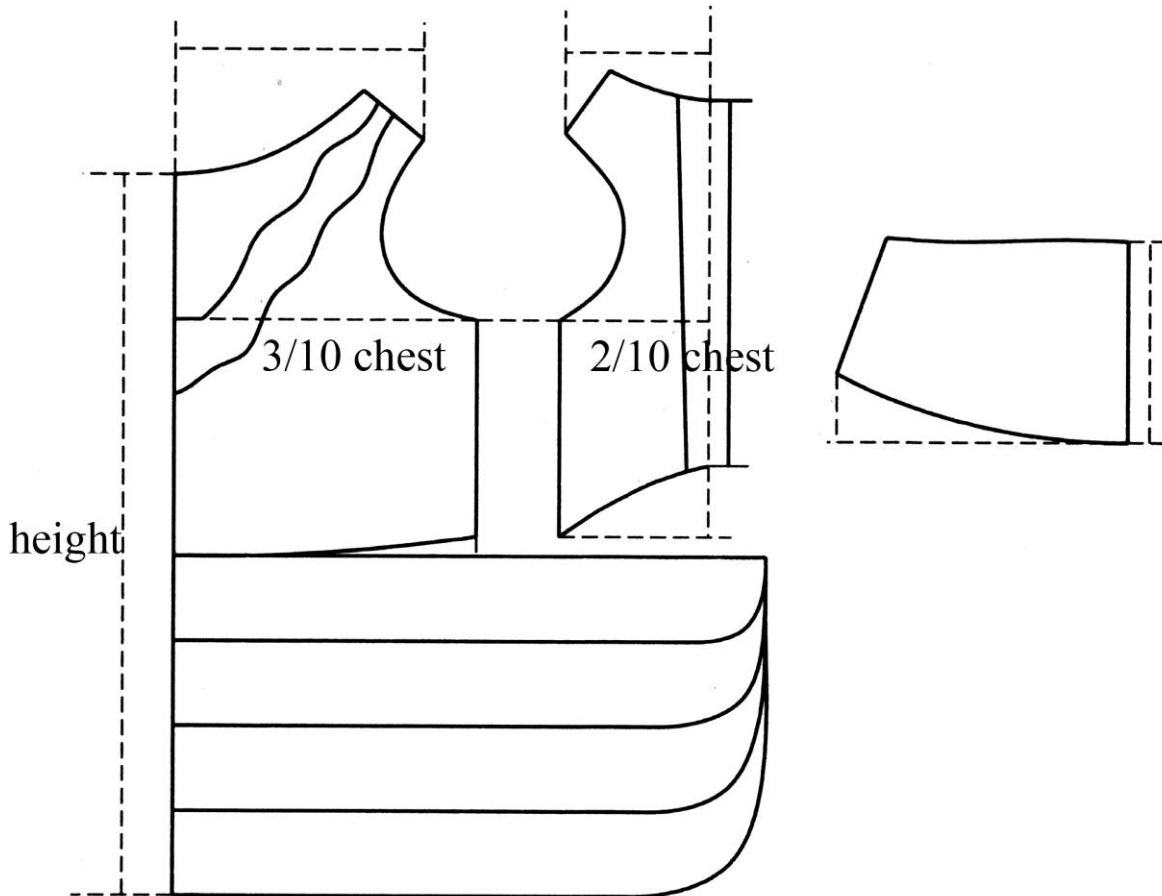
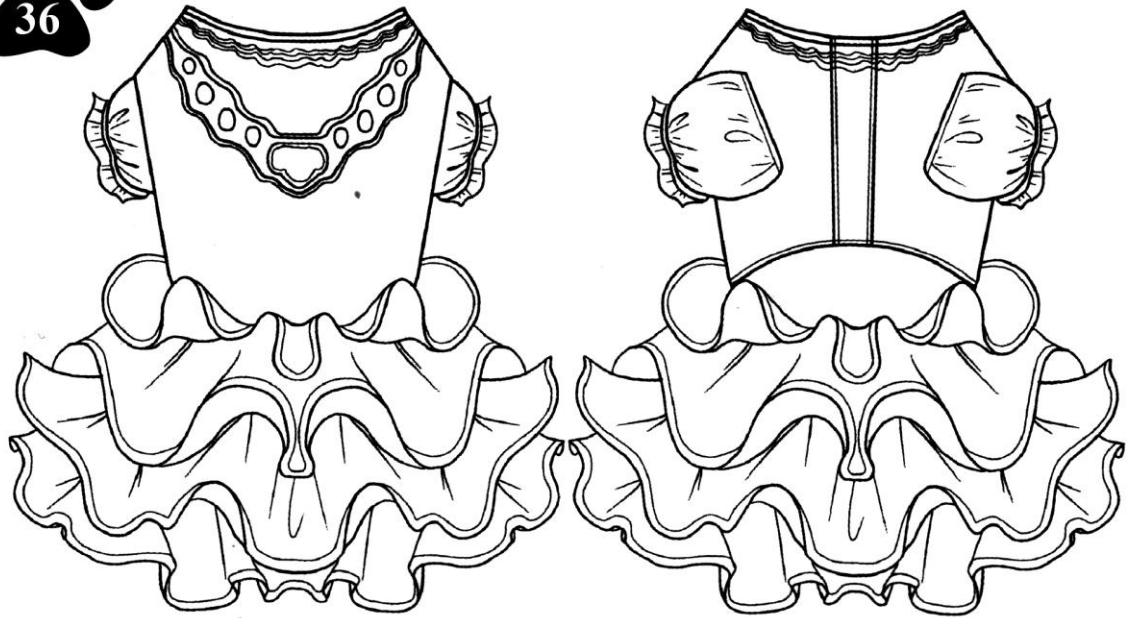
To make a pattern, measure the chest girth of your dog's and divide it by 17.
On a large sheet of paper, draw a grid with a square side equal to the value obtained.
Redraw the pattern by cells.



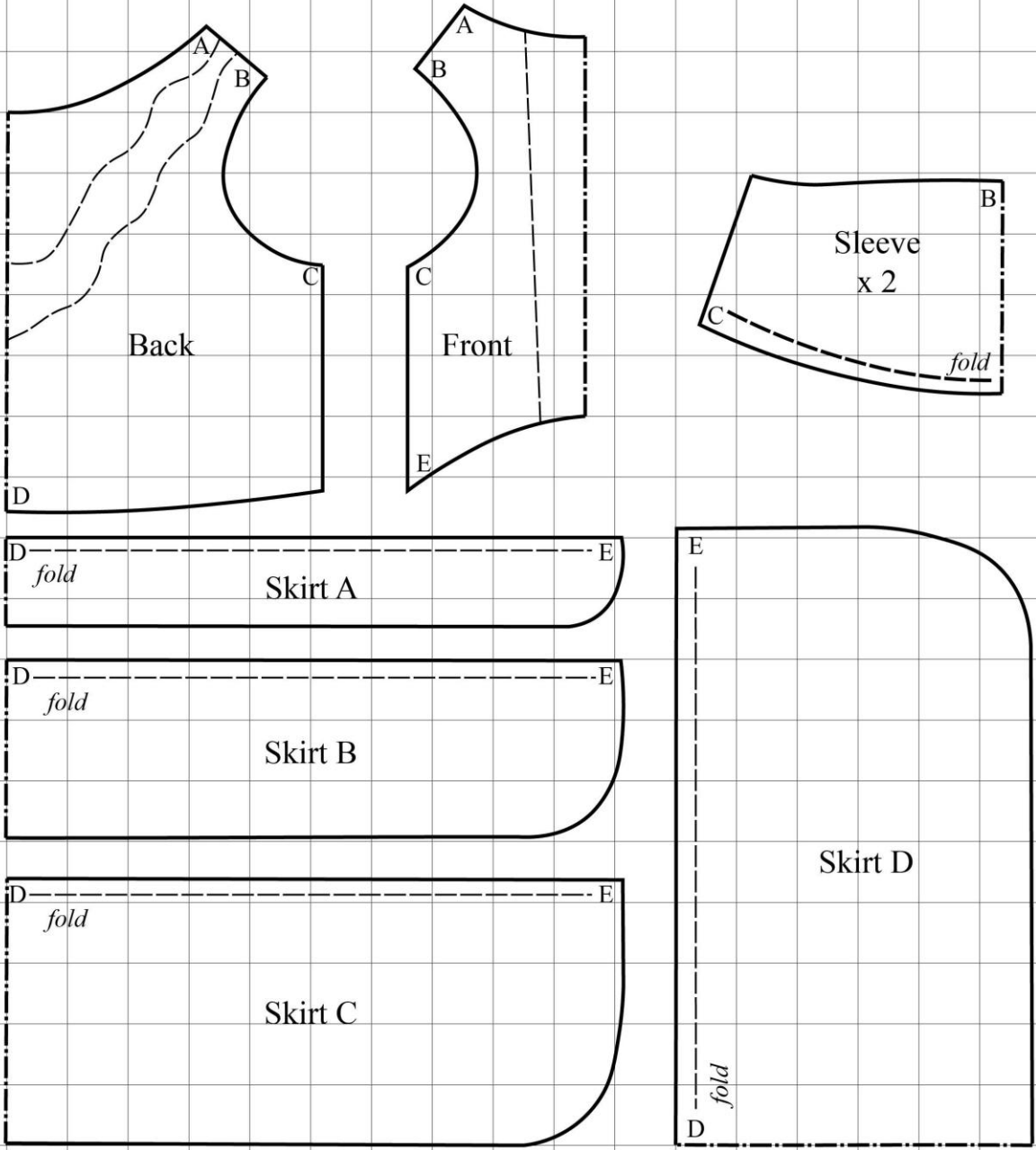


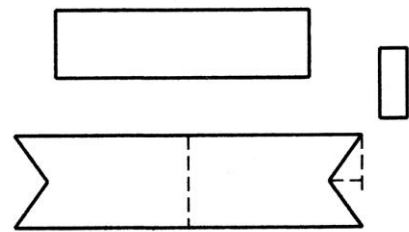
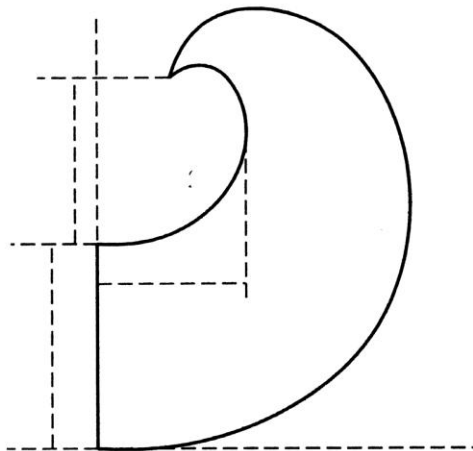
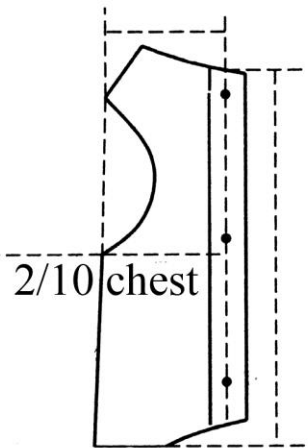
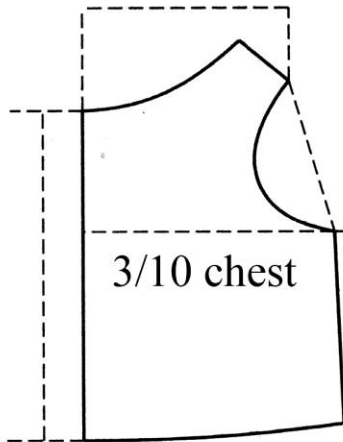
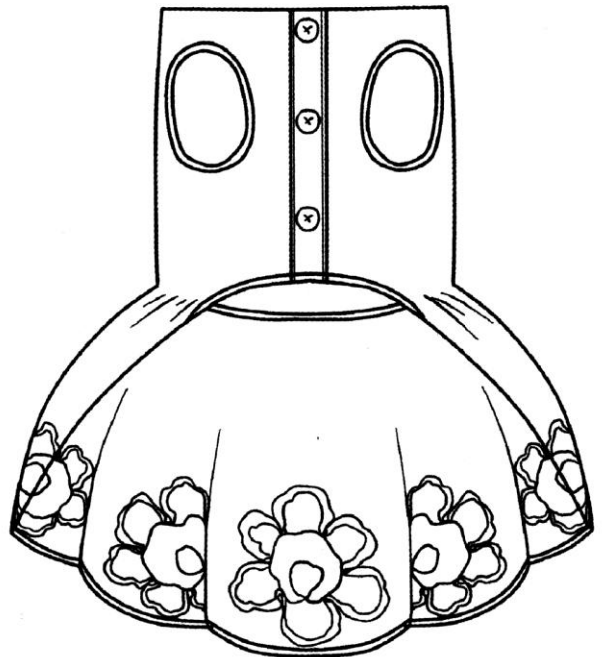
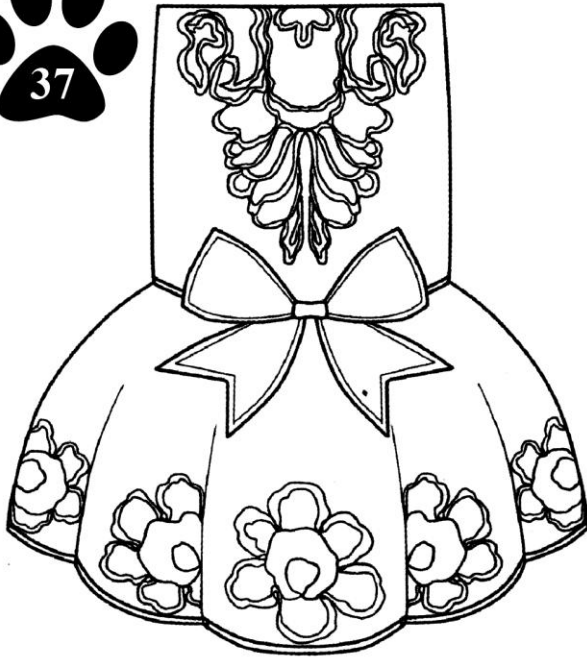
To make a pattern, measure the chest girth of your dog's and divide it by 16.
On a large sheet of paper, draw a grid with a square side equal to the value obtained.
Redraw the pattern by cells.



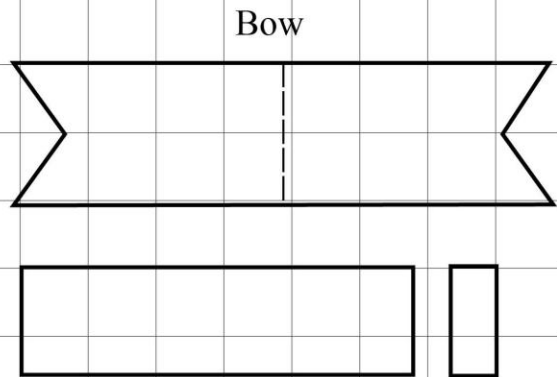
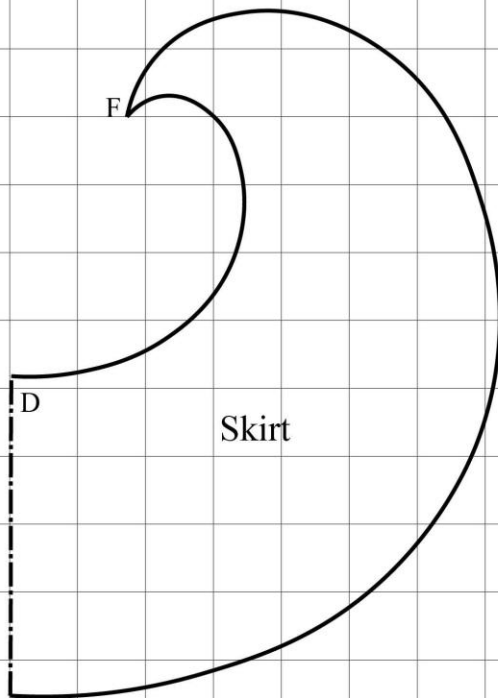
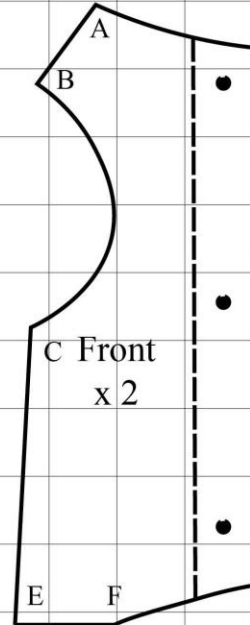
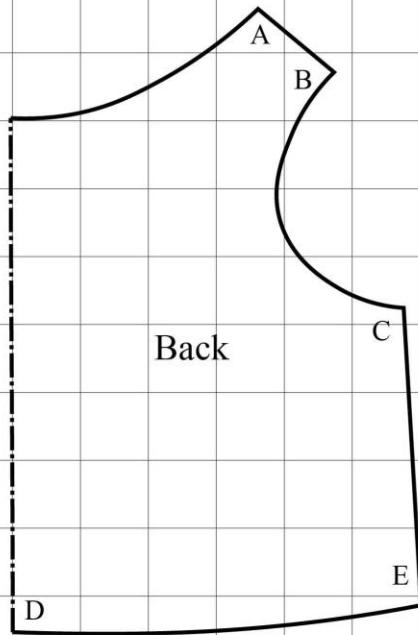


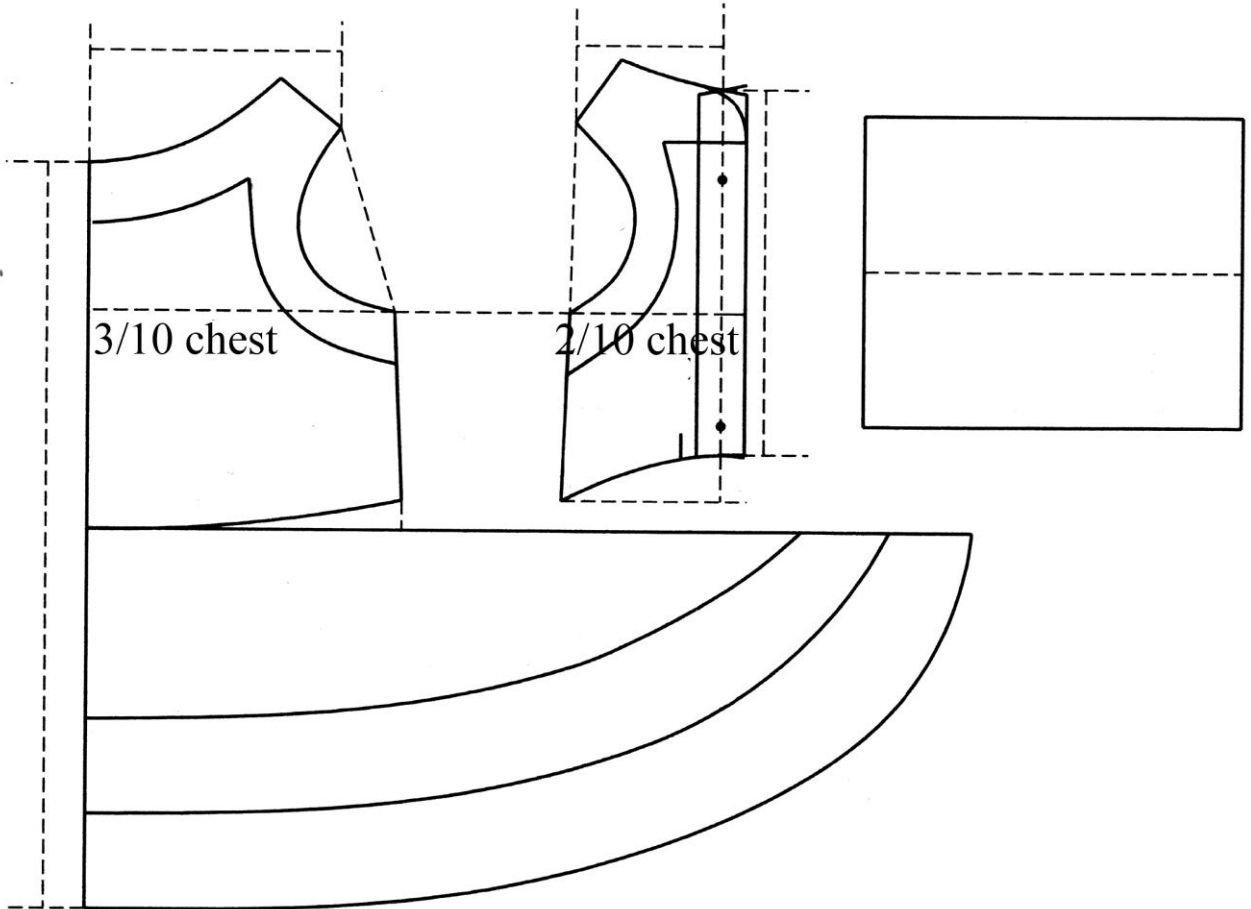
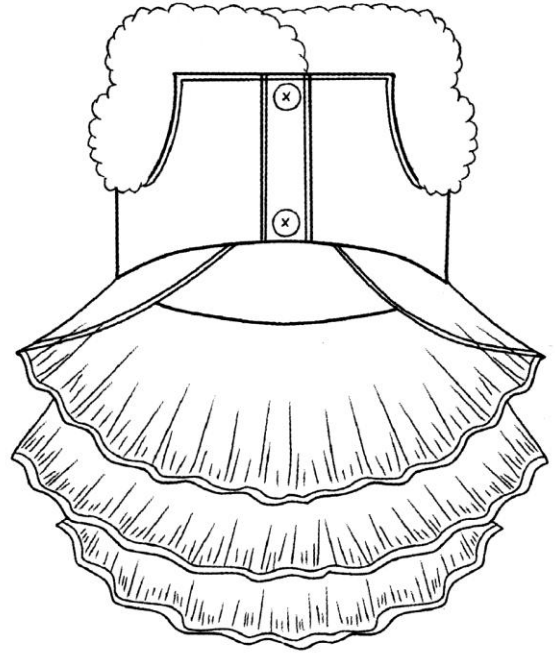
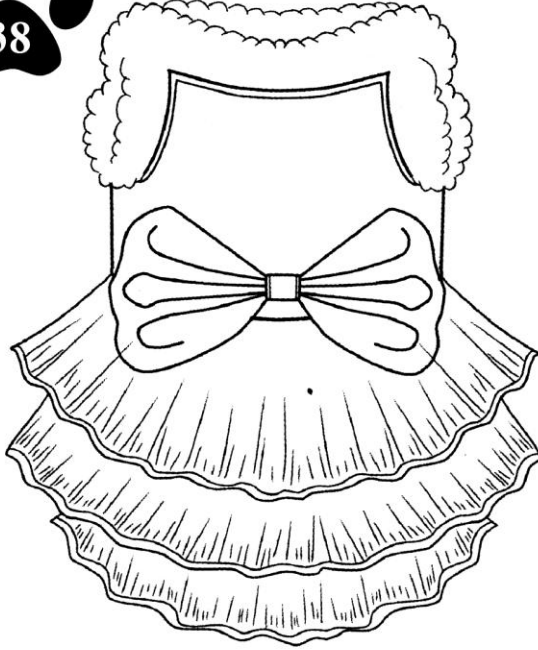
To make a pattern, measure the chest girth of your dog's and divide it by 18.
On a large sheet of paper, draw a grid with a square side equal to the value obtained.
Redraw the pattern by cells.





To make a pattern, measure the chest girth of your dog's and divide it by 18.
On a large sheet of paper, draw a grid with a square side equal to the value obtained.
Redraw the pattern by cells.





To make a pattern, measure the chest girth of your dog's and divide it by 17.
On a large sheet of paper, draw a grid with a square side equal to the value obtained.
Redraw the pattern by cells.

